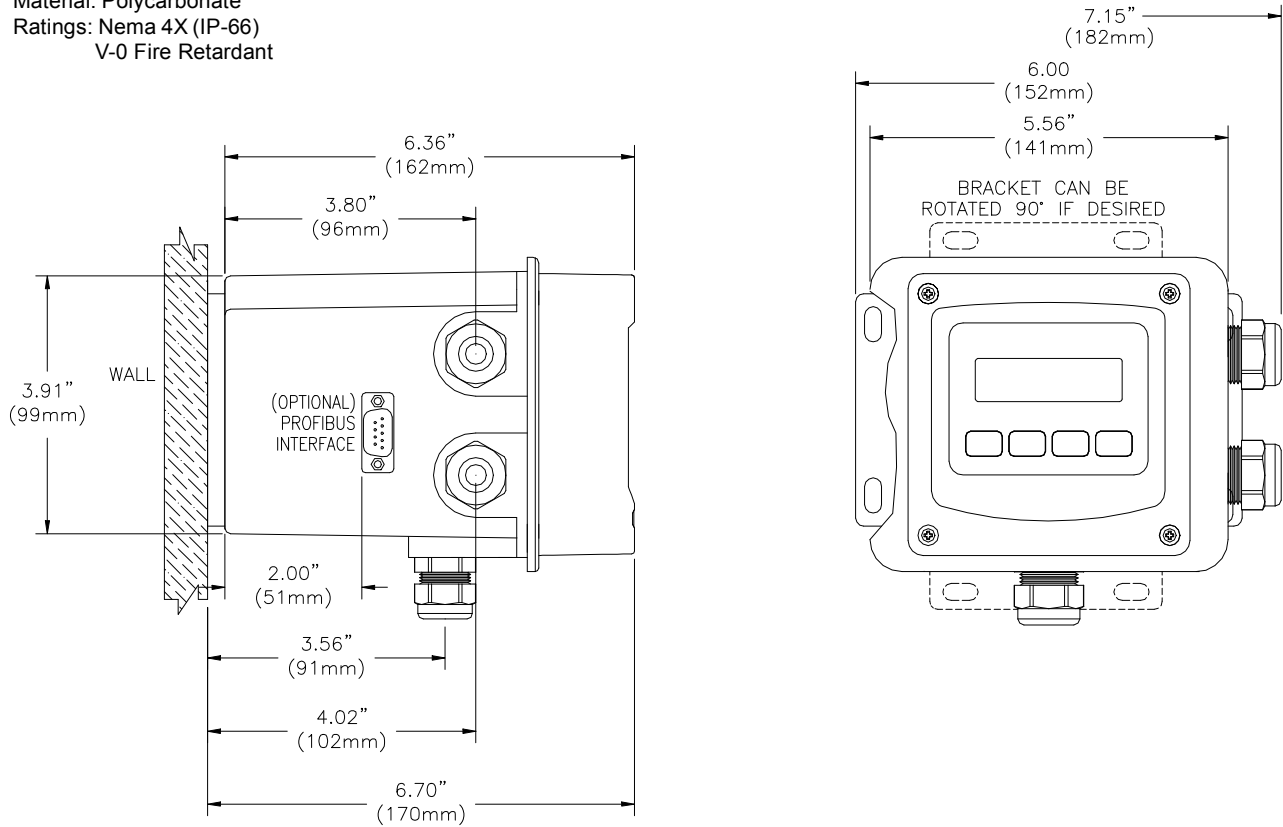


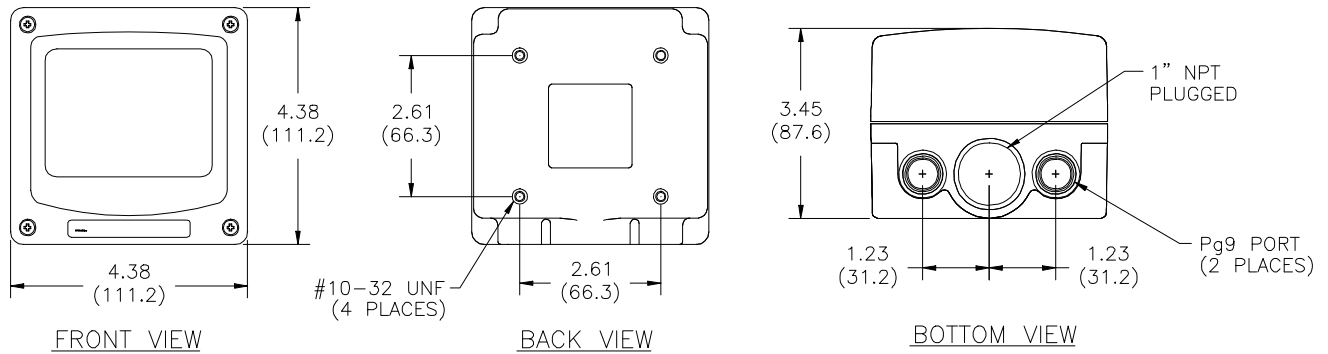
**ANALYZER DIMENSIONS (WALL MOUNT SHOWN)**

Material: Polycarbonate  
 Ratings: Nema 4X (IP-66)  
 V-0 Fire Retardant



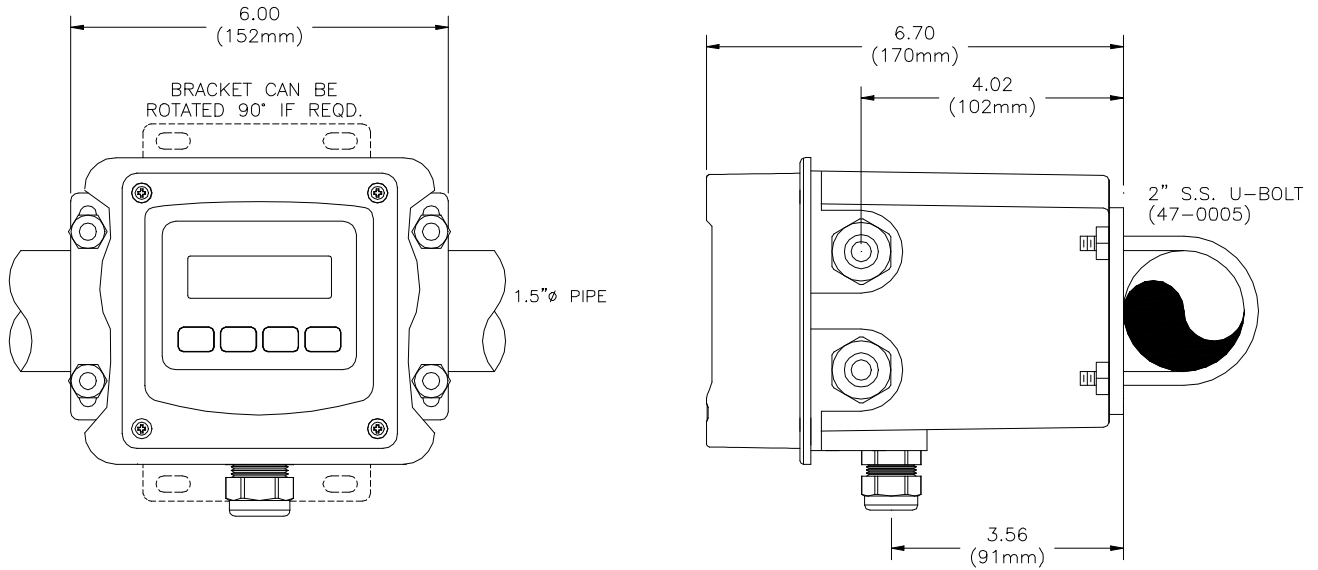
ATI-0926

**JUNCTION BOX**



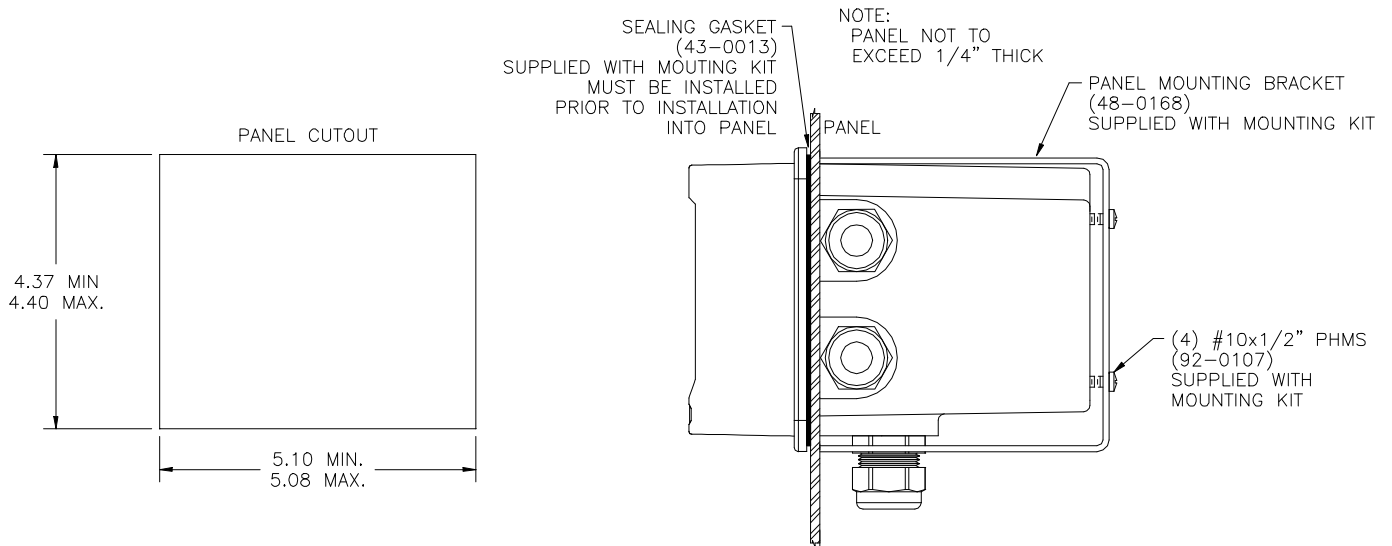
ATI-0655

**PIPE MOUNTING**



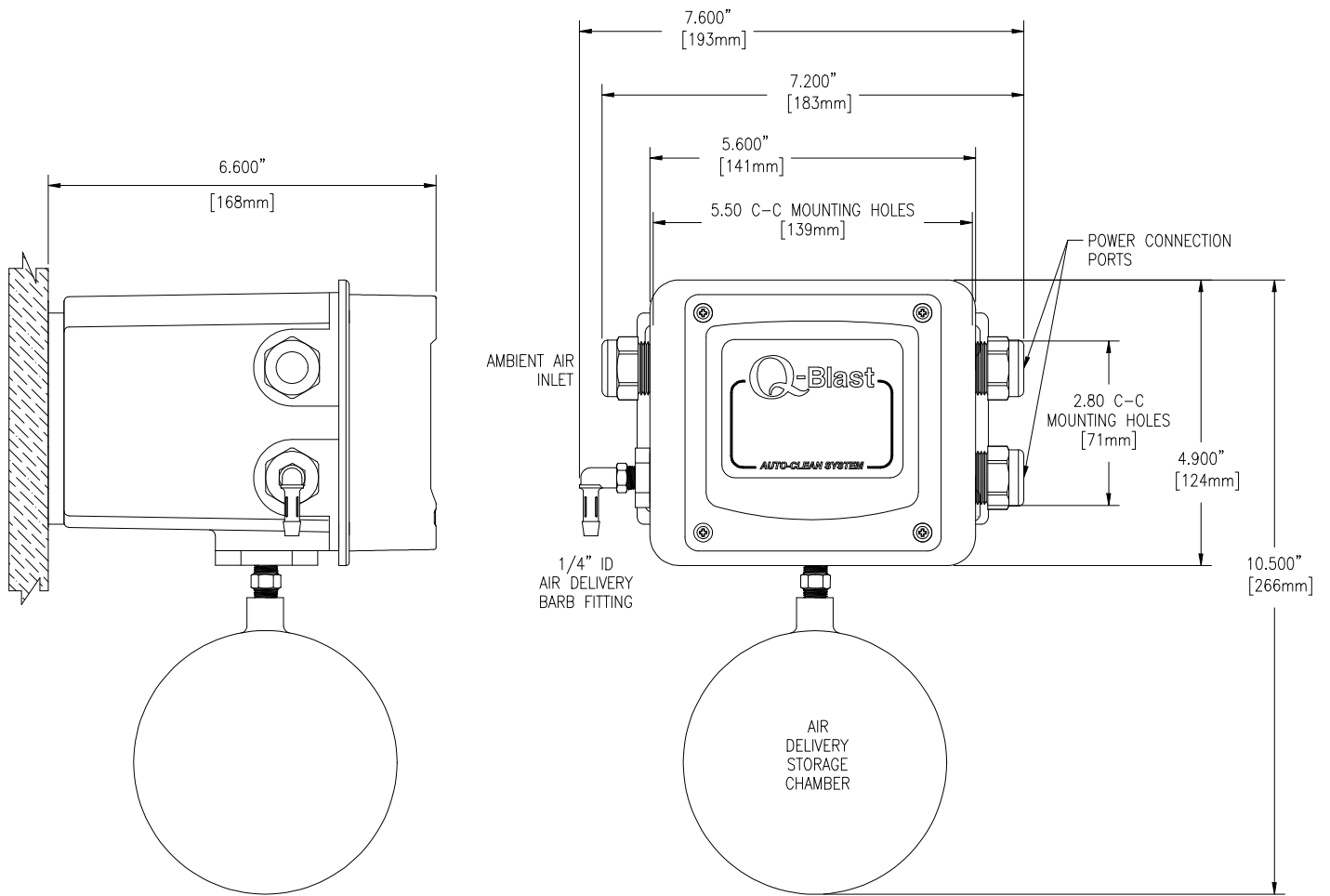
ATI-0927

**PANEL MOUNTING DIAGRAM**

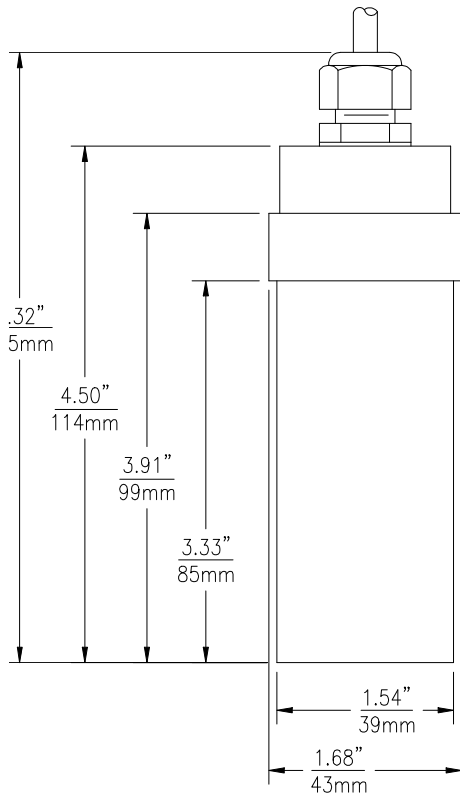


ATI-0928

**AIR-BLAST ASSEMBLY**



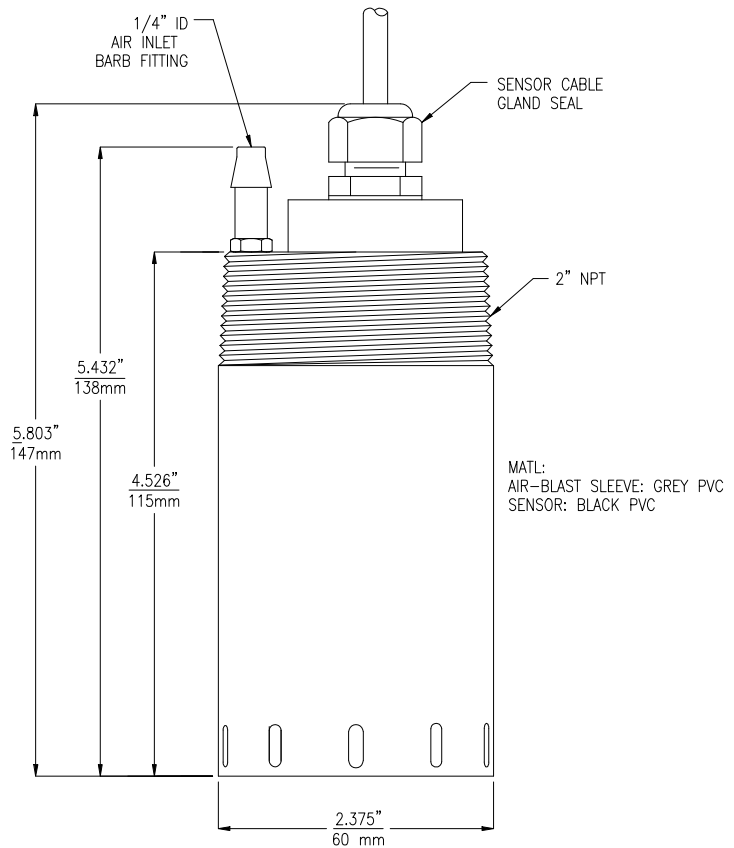
**FLOW TYPE SENSOR  
(63-0110)**



SUSPENDED SOLIDS SENS  
(63-0110) 9M CABLE  
LENGTH (STANDARD)

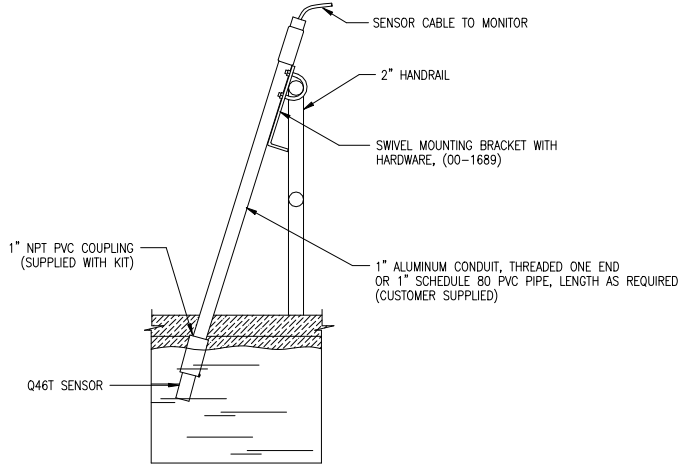
MATL: BLACK PVC

**AUTOCLEAN SENSOR HOLDER  
(00-1692)  
w/SENSOR  
(63-0110)**

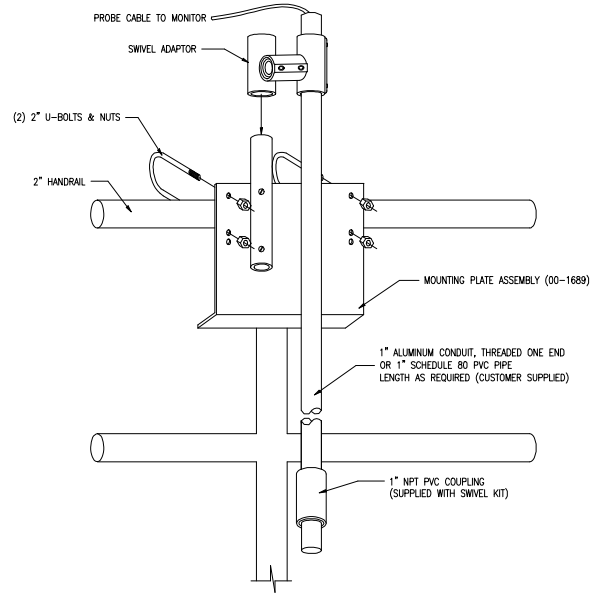


MATL:  
AIR-BLAST SLEEVE: GREY PVC  
SENSOR: BLACK PVC

**SENSOR HANDRAIL MOUNTING**

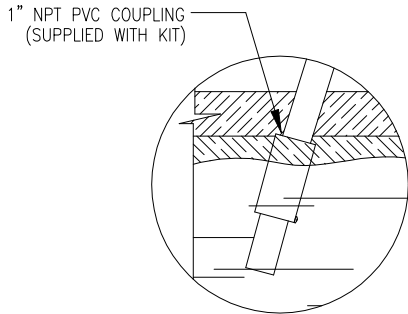


**SENSOR HANDRAIL INSTALLATION**

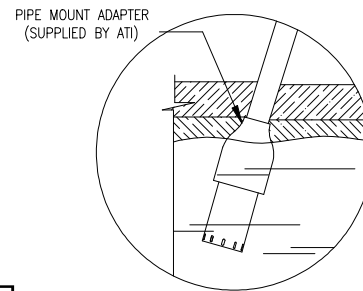


**SUBMERSIBLE SENSOR MOUNTING OPTIONS**

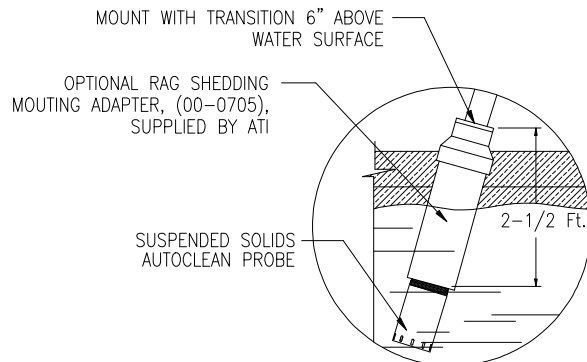
**STANDARD SUBMERSIBLE (00-1690)**



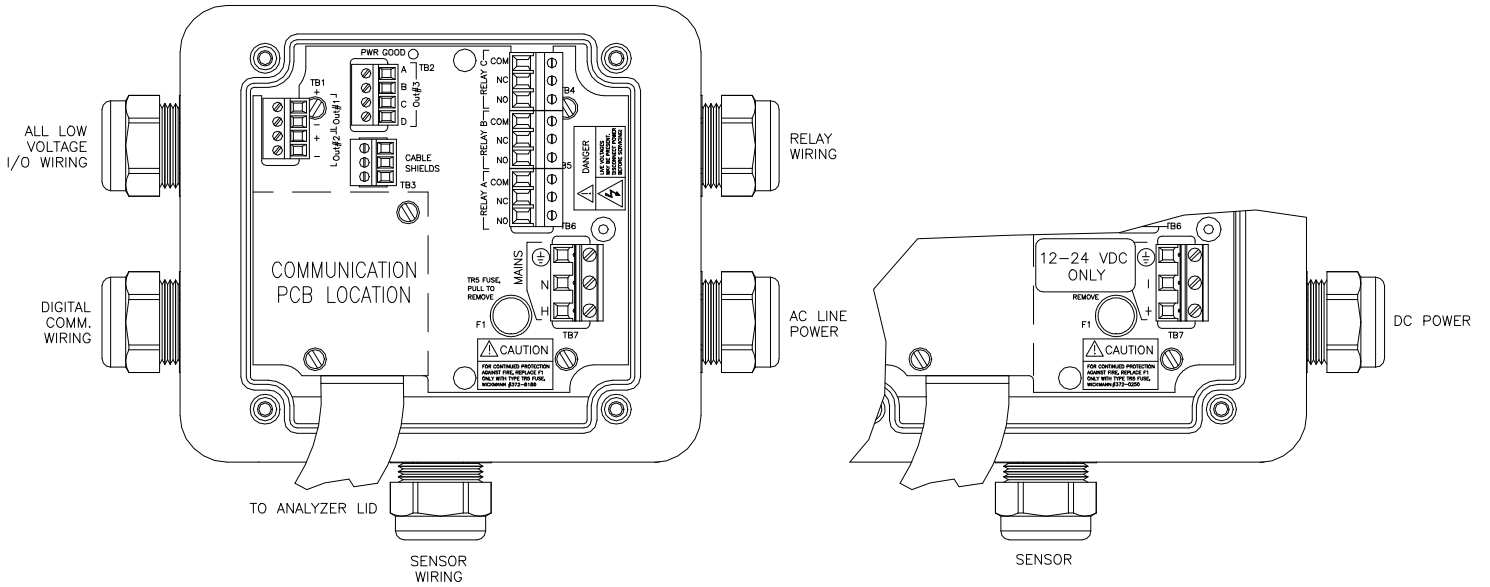
**AUTOCLEAN SUBMERSIBLE (00-0624)**



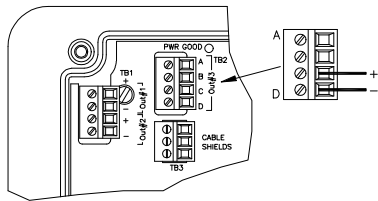
**RAG SHEDDING ADAPTER (00-0629)**



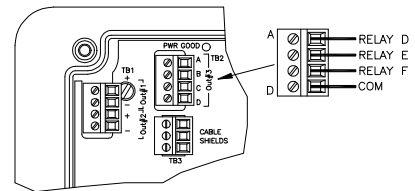
**POWER, RELAY, AND OUTPUT CONNECTIONS**



Optional Analog Output Wiring

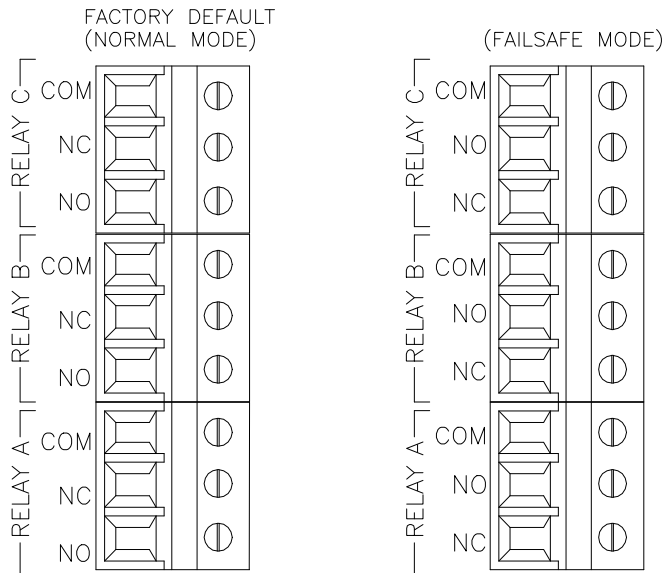


Optional Relay Board Wiring (30V Max.)

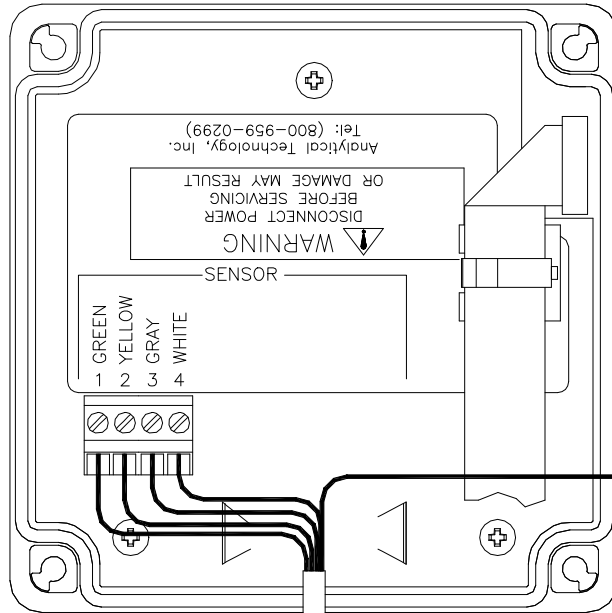


ATI-0930,  
0932, 0933

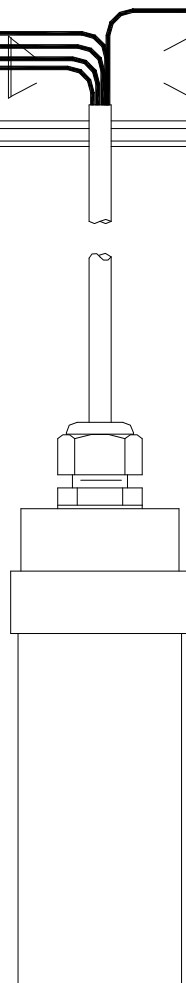
**RELAY WIRING TB4,5,6 DETAIL**



ATI-0931

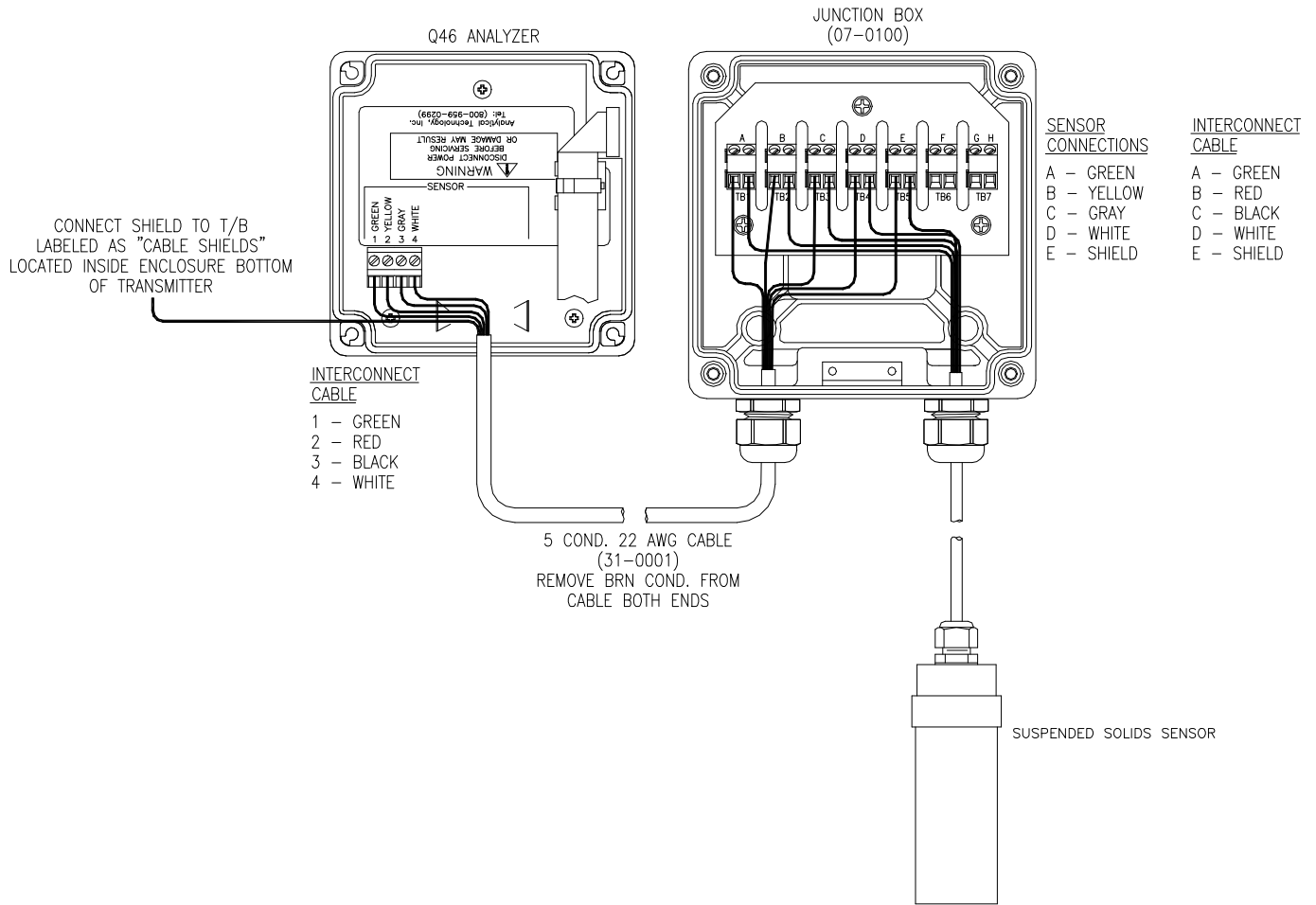
**SENSOR CONNECTIONS**

CONNECT SHIELD (BRAID) TO T/B  
LABELED AS "CABLE SHIELDS"  
LOCATED INSIDE ENCLOSURE BOTTOM  
OF TRANSMITTER



SUSPENDED SOLIDS SENSOR

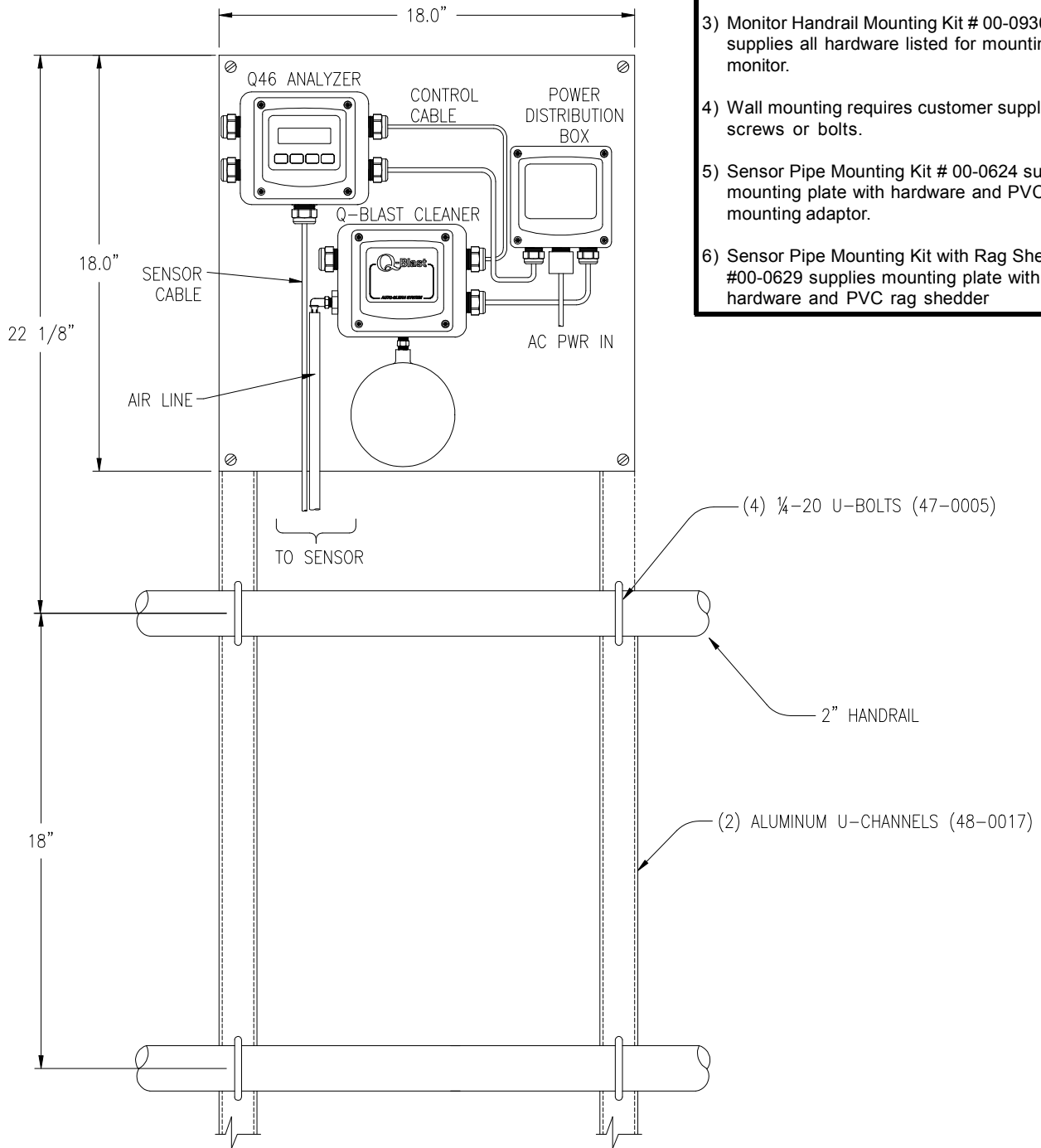
**SENSOR CONNECTIONS - REMOTE JUNCTION BOX**





**MONITOR HANDRAIL INSTALLATION**

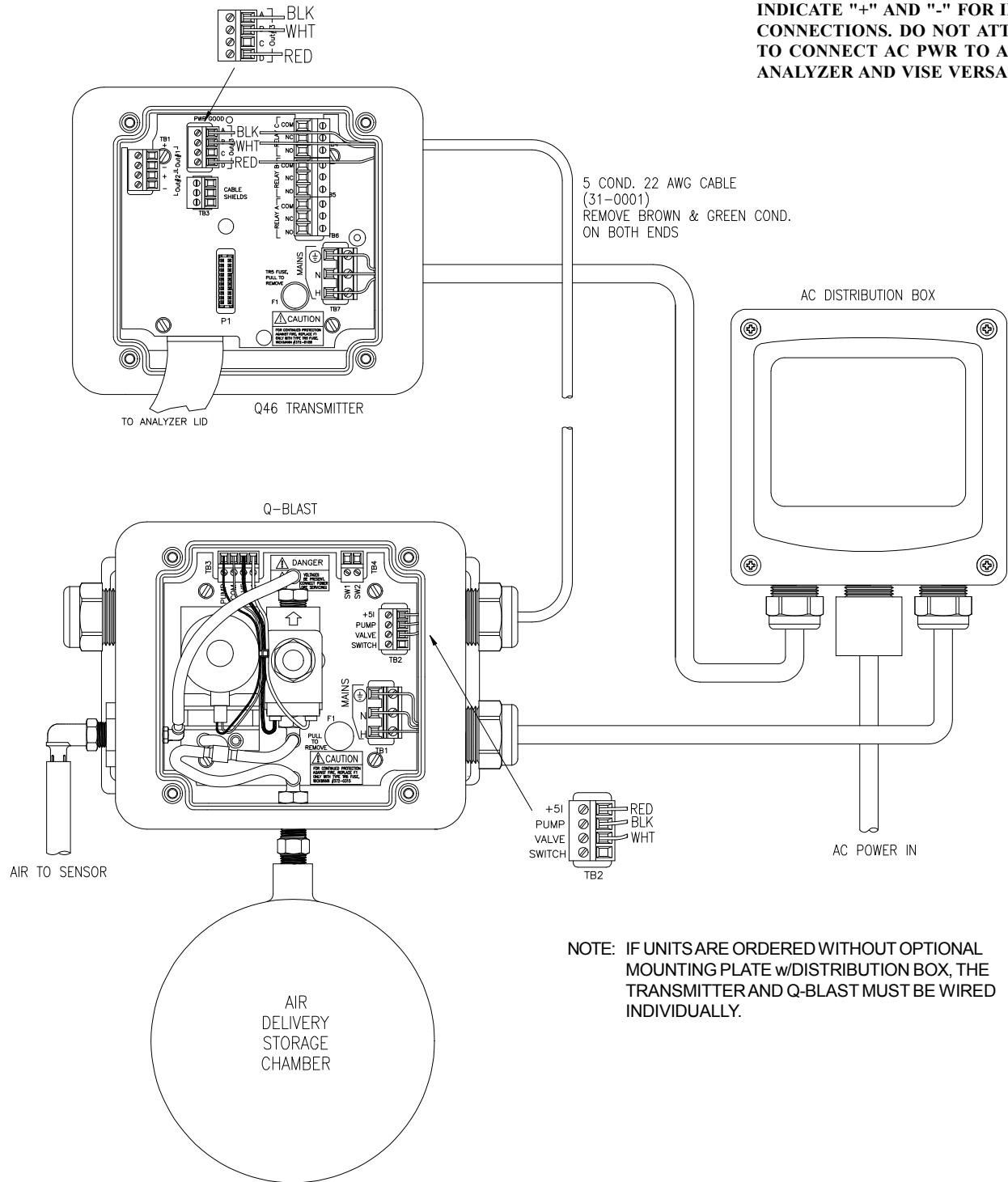
**NOTES**



- 1) Always mount sensor cleaner within 25 ft. of sensor if possible. Maximum air line distance is 50 ft.
- 2) Sun shade over monitor is recommended in hot climates.
- 3) Monitor Handrail Mounting Kit # 00-0930 supplies all hardware listed for mounting monitor.
- 4) Wall mounting requires customer supplied screws or bolts.
- 5) Sensor Pipe Mounting Kit # 00-0624 supplies mounting plate with hardware and PVC pipe mounting adaptor.
- 6) Sensor Pipe Mounting Kit with Rag Shedding #00-0629 supplies mounting plate with hardware and PVC rag shedder

**AUTOCLEAN SYSTEM - ELECTRICAL WIRING**

**NOTE: DC ANALYZER PWR INPUTS INDICATE "+" AND "-" FOR INPUT CONNECTIONS. DO NOT ATTEMPT TO CONNECT AC PWR TO A DC ANALYZER AND VISE VERSA**



**NOTE: IF UNITS ARE ORDERED WITHOUT OPTIONAL MOUNTING PLATE W/DISTRIBUTION BOX, THE TRANSMITTER AND Q-BLAST MUST BE WIRED INDIVIDUALLY.**