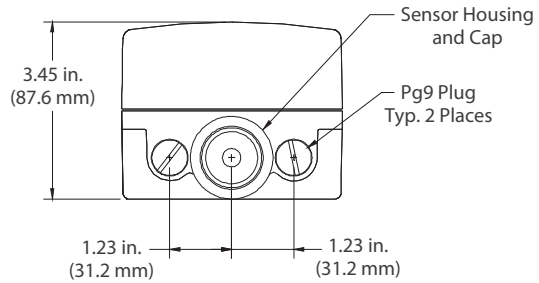
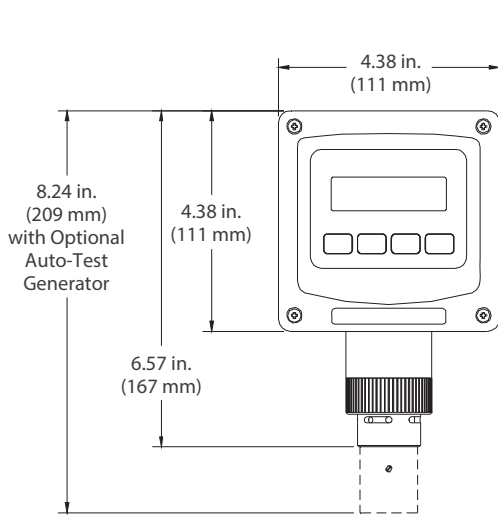


ENCLOSURE DIMENSIONS

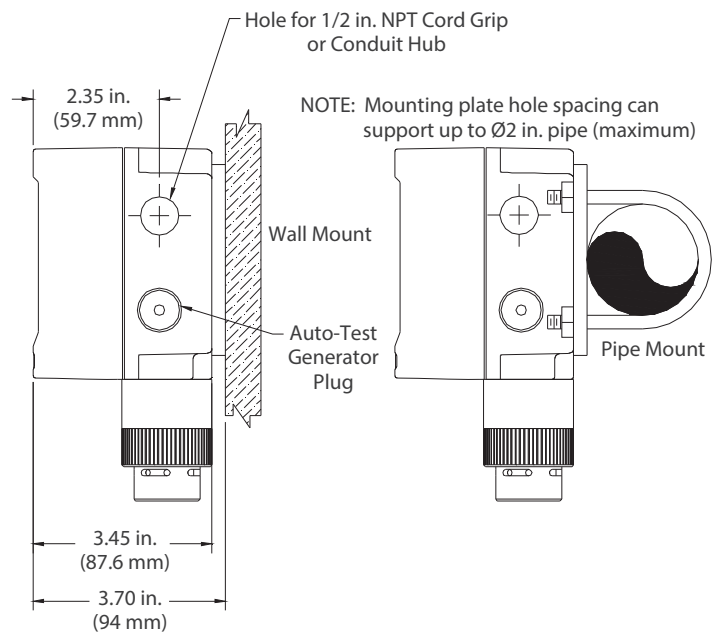
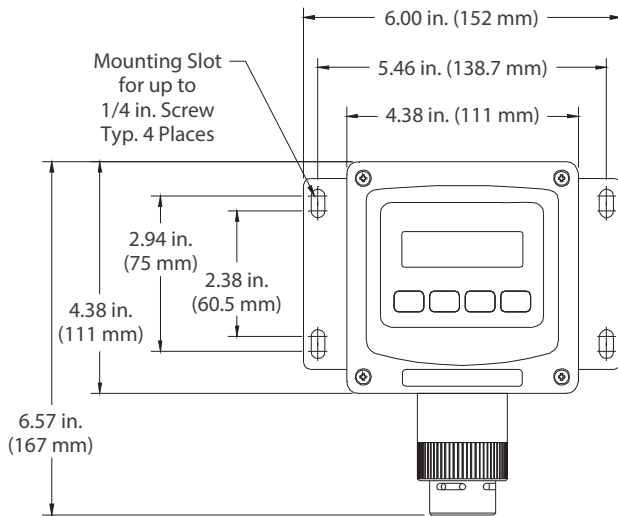


NOTES:

1. Enclosure Mat: Grey Polycarbonate with S.S. Hardware Weatherproof & Corrosion Resistant
2. Ratings: Nema 4X
3. Junction box DOES NOT contain an LCD front panel.

ATI-0818a

ENCLOSURE MOUNTING OPTIONS




ATI-0821

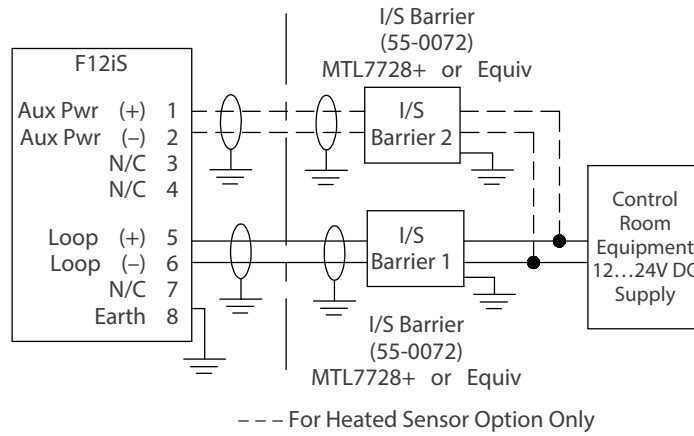
INTEGRAL TRANSMITTER INFORMATION

**Class / Div and Class Zone
Intrinsically Safe – Securite Intrinseque**

HAZARDOUS (CLASSIFIED)
LOCATIONS
UL / CSA:

Class I, Div 1, Groups A, B, C, D
Class I, Zone 0, AEx ia IIC T4
Class I, Zone 0, Exia IIC T4
ATEX:  II 1 G Ex ia IIC T4 Ga
IEC Ex: Ex ia IIC T4 Ga
All Certs: Ta = -30...60° C

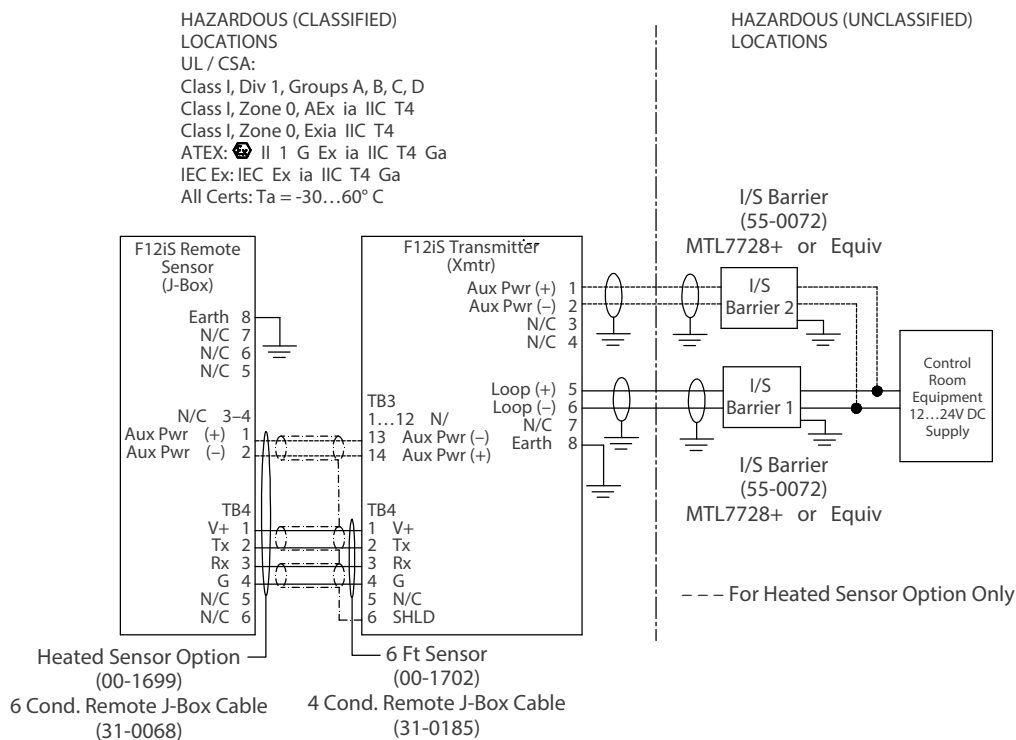
HAZARDOUS (UNCLASSIFIED)
LOCATIONS



Transmitter Entity Parameters		
Parameter	Main Power (via ISB1)	Aux Power (via ISB2)
Ui / Vmax	28V	28V
Ii / Imax	93 mA	93 mA
Pi	0.651W	0.651W
Ci	0.046 µF	0.000 µF
Li	299.81 µH	0.0µH

REMOTE SYSTEM INFORMATION

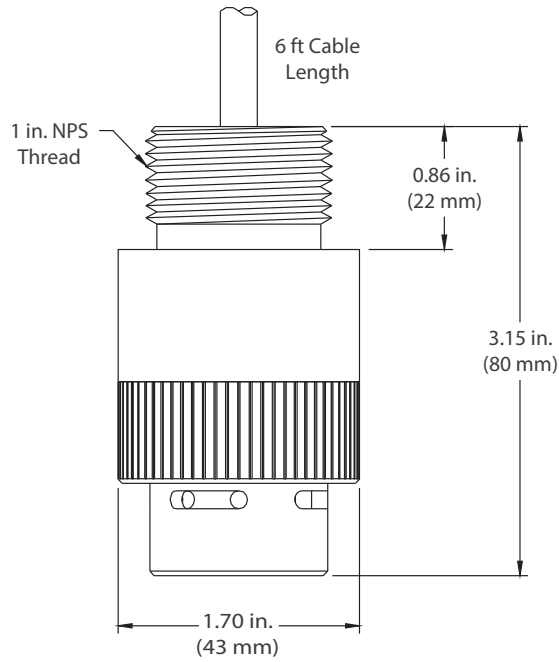
Class / Div and Class Zone
Intrinsically Safe – Securite Intrinsic



Transmitter Entity Parameters		
Parameter	Main Power (via ISB1)	Aux Power (via ISB2)
U _i / V _{max}	28V	28V
l _i / I _{max}	93 mA	93 mA
P _i	0.651W	0.651W
C _i	0.046 μF	0.000 μF
L _i	299.81 μH	0.0μH

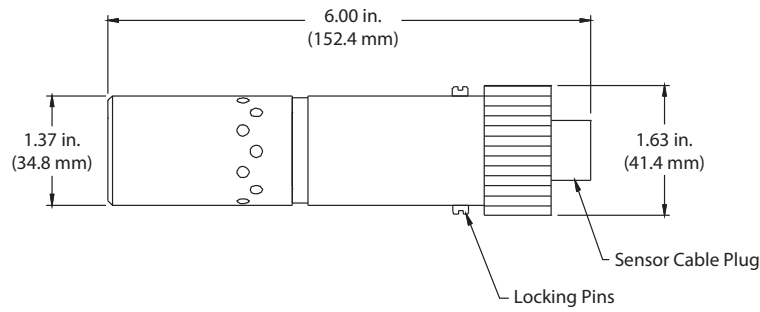
NOTE: U_i = U_o
l_i = I_o
P_i = P_o
C_i + C_{Xmtr-Jbox_cable} + C_{barrier_Xmtr_cable} = C_a
L_i + L_{Xmtr-Jbox_cable} + L_{barrier_Xmtr_cable} = L_a

6 FOOT REMOTE SENSOR DIMENSIONS



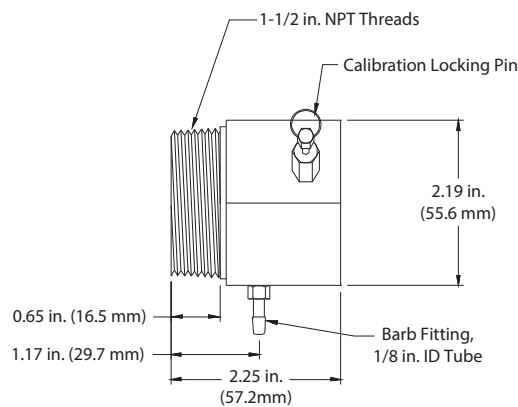
ATI-1032

INSERTION SENSOR DIMENSIONS



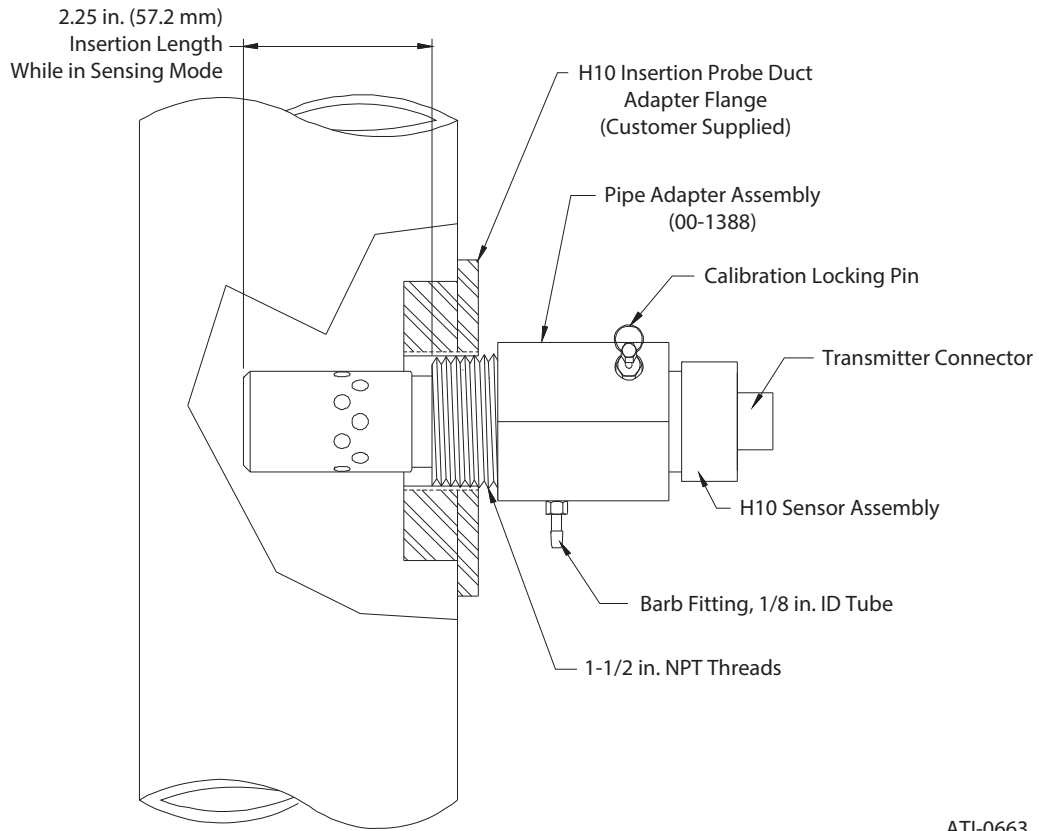
ATI-0669

PIPE ADAPTER DIMENSIONS



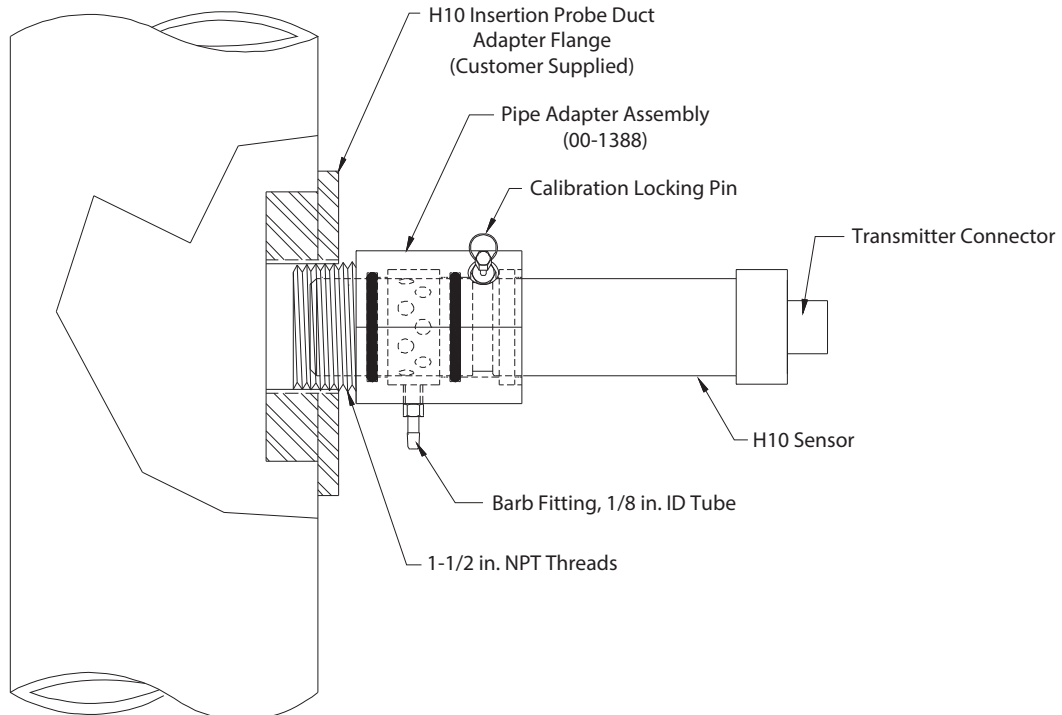
ATI-0670

INSERTION PROBE – OPERATING MODE



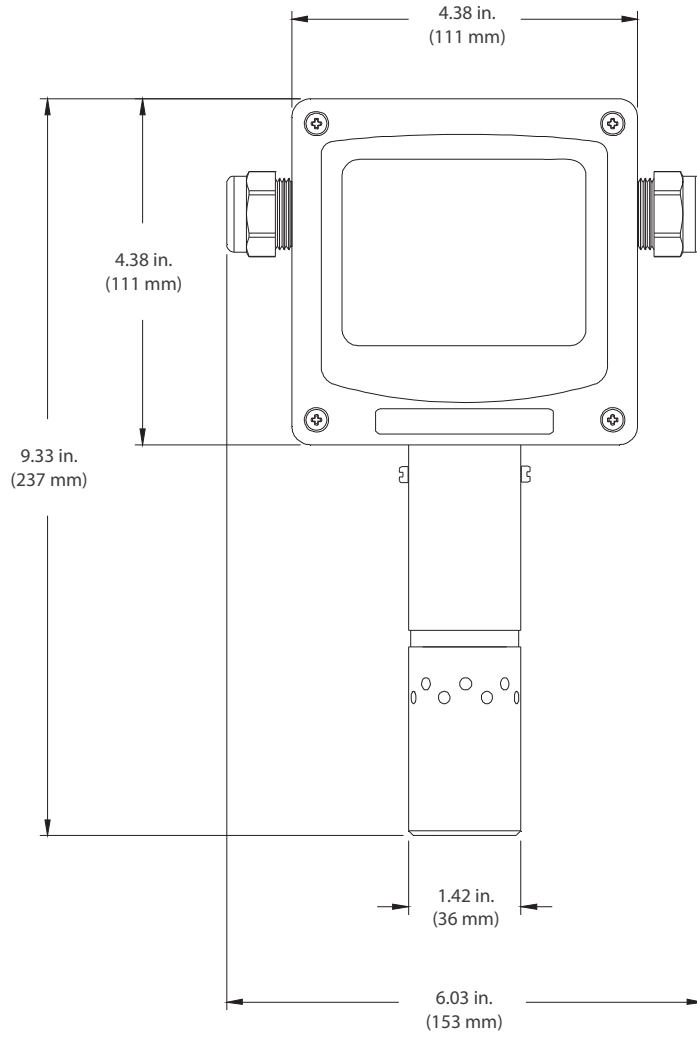
ATI-0663

INSERTION PROBE – CALIBRATING MODE



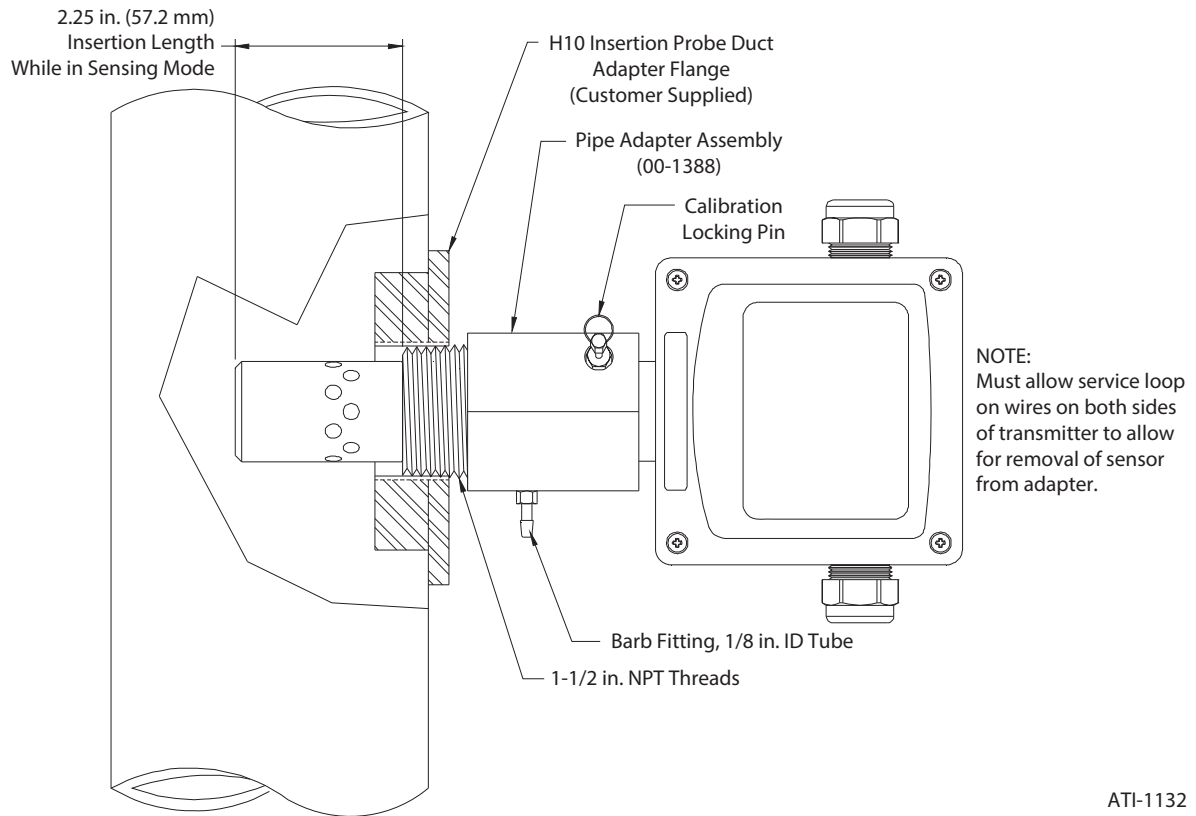
ATI-0664

INTEGRAL INSERTION PROBE DIMENSIONS



ATI-1131

INTEGRAL INSERTION PROBE – OPERATING MODE



INTEGRAL INSERTION PROBE – CALIBRATING MODE

