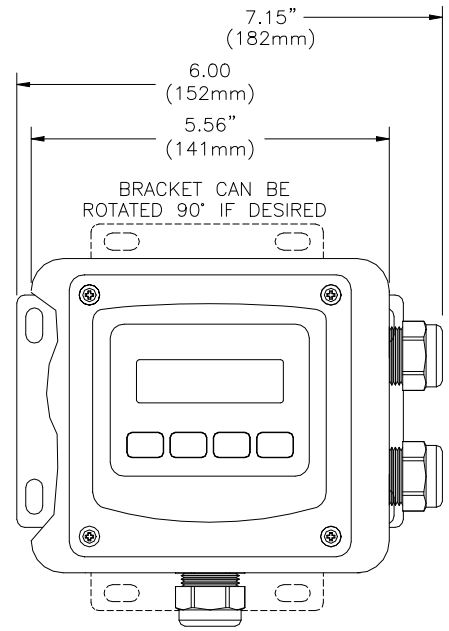
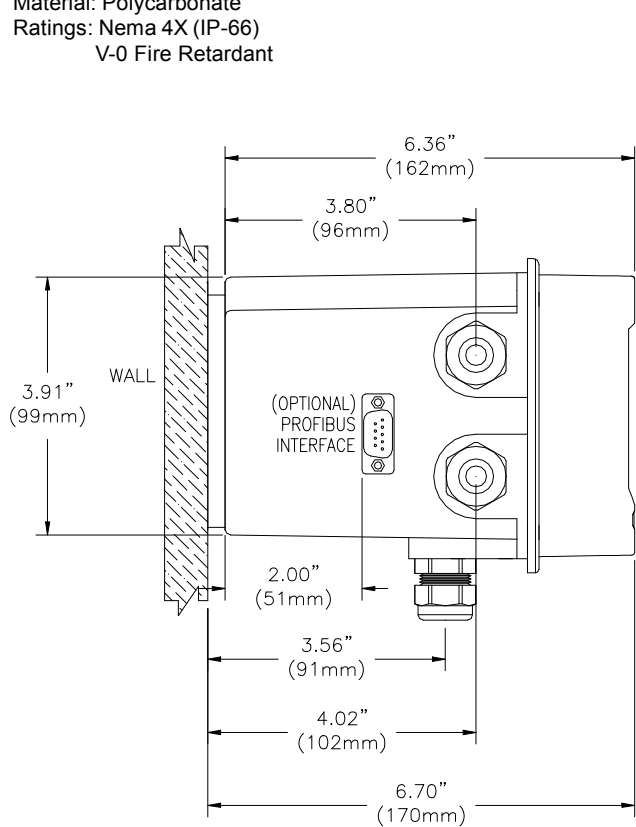


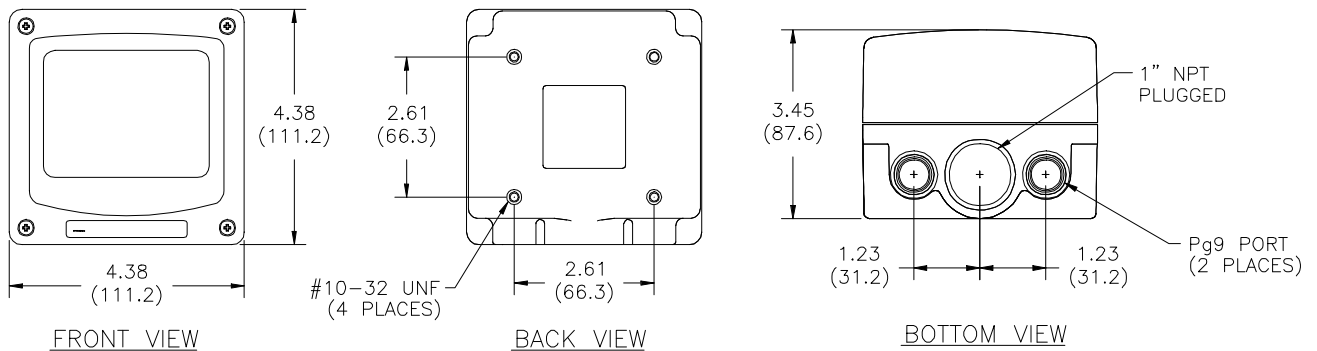
**ANALYZER DIMENSIONS (WALL MOUNT SHOWN)**

Material: Polycarbonate  
 Ratings: Nema 4X (IP-66)  
 V-0 Fire Retardant



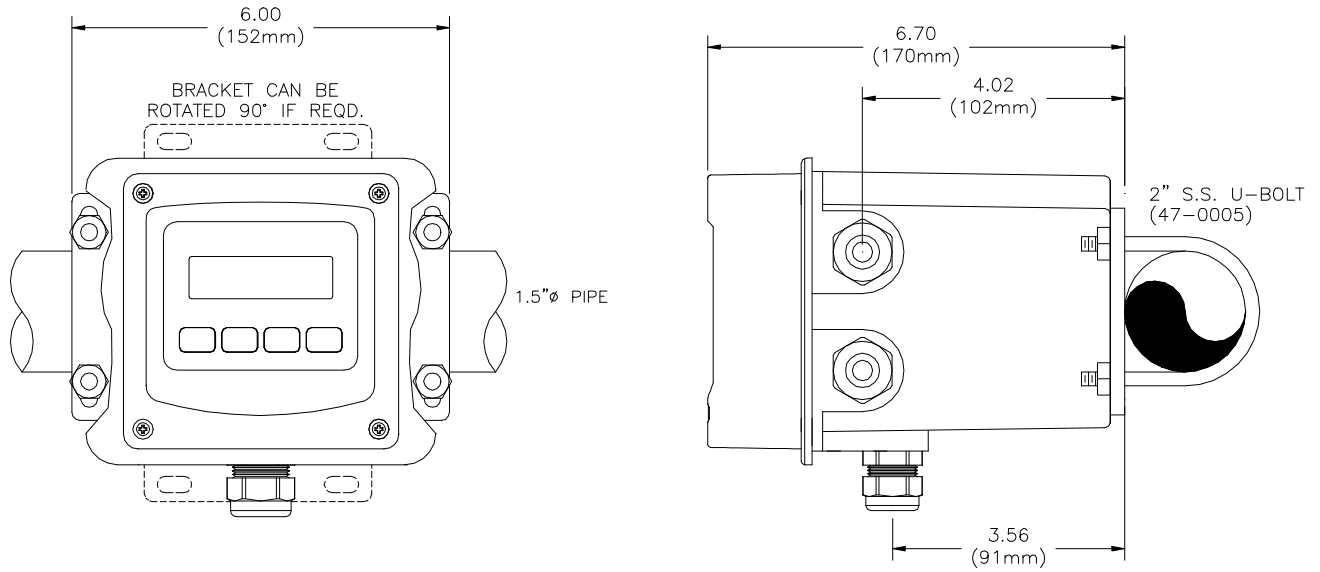
ATI-0926

**JUNCTION BOX**



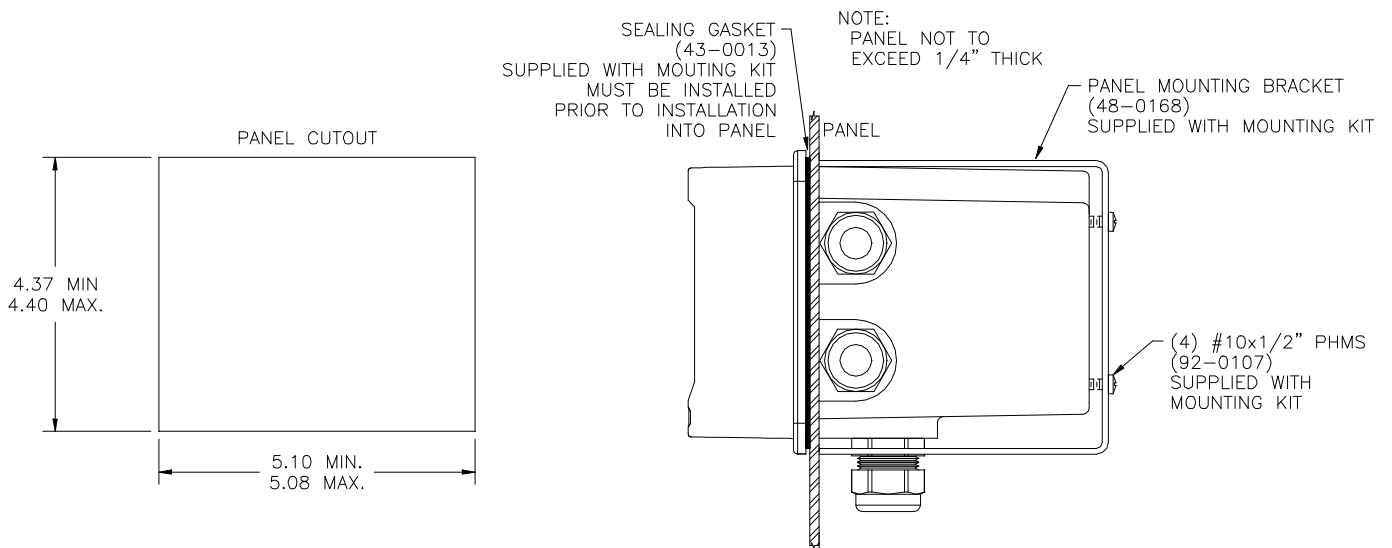
ATI-0655

**PIPE MOUNTING**



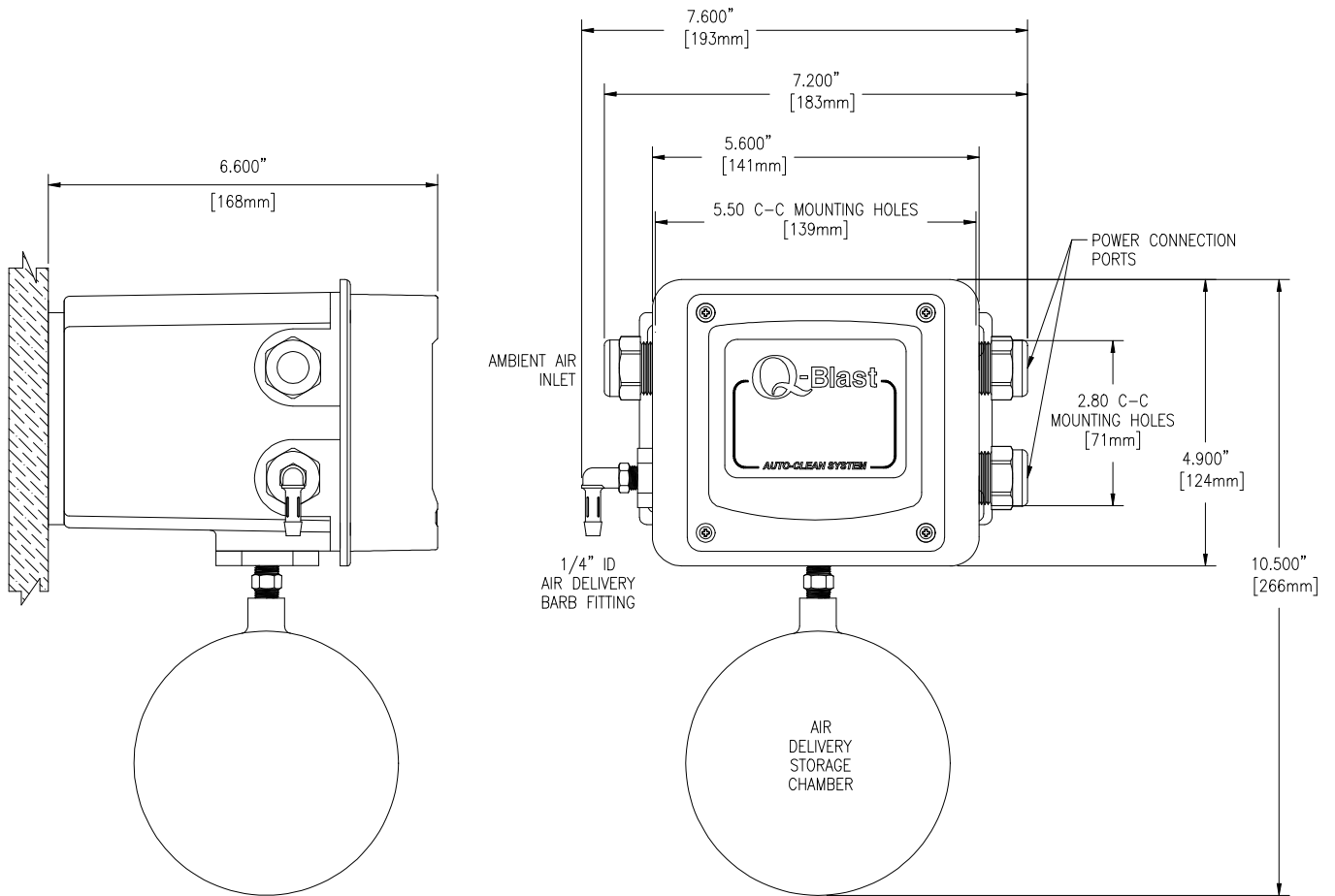
ATI-0927

**PANEL MOUNTING DIAGRAM**

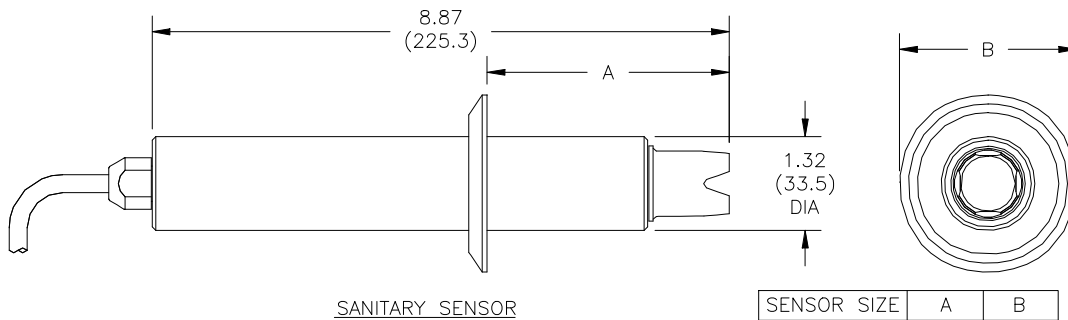
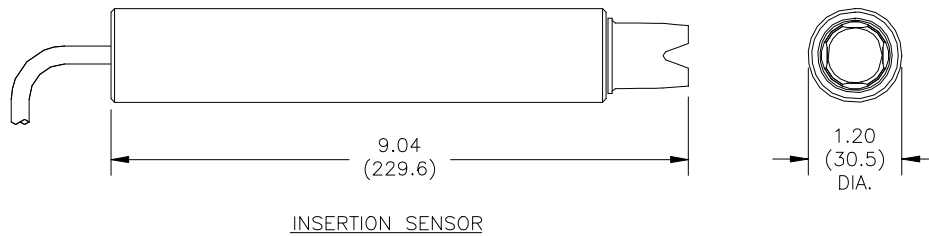
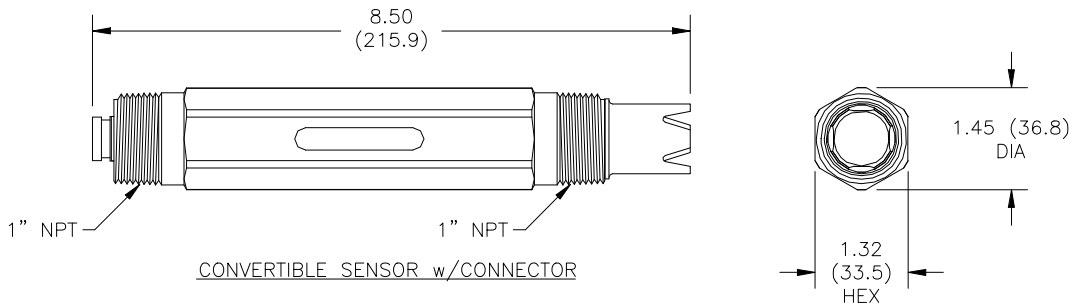
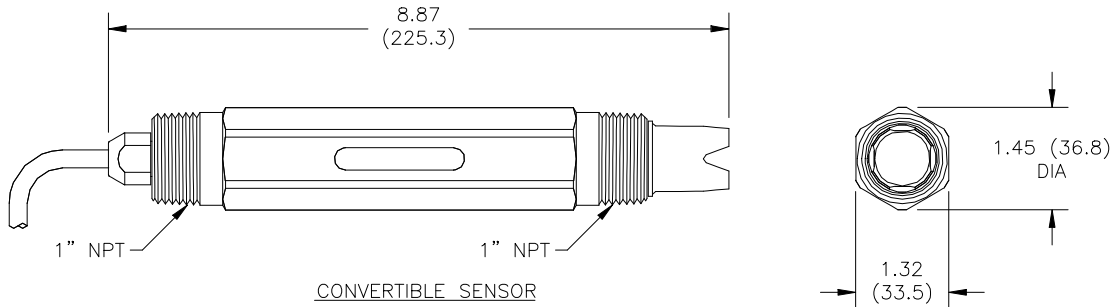


ATI-0928

**AIR-BLAST ASSEMBLY**



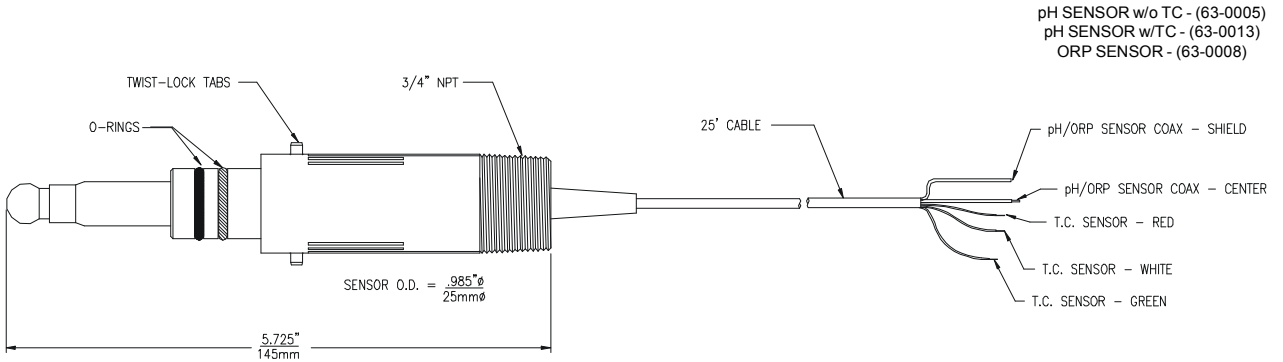
**Q25 pH/ORP SENSOR DIMENSIONS**



SENSOR SIZE	A	B
1-1/2"	2.75 (70.0)	1.98 (50.4)
2"	3.50 (88.9)	2.50 (63.5)

ATI-0724

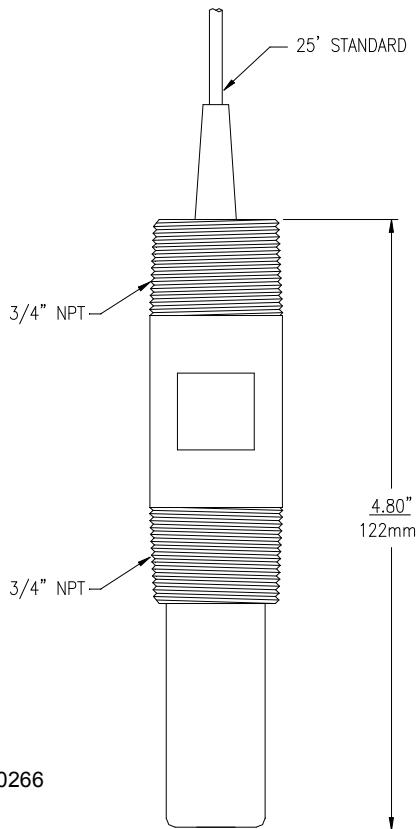
**FLOW SENSOR DIMENSIONS**



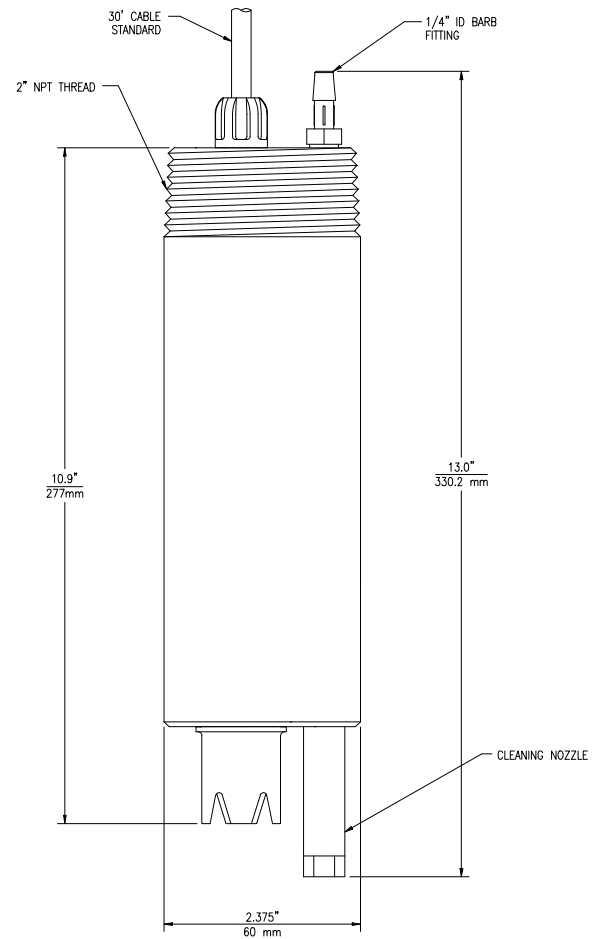
ATI-0313

**SUBMERSIBLE SENSOR DIMENSIONS** | **30' AUTO-CLEAN SENSOR ASSEMBLY**  
**pH SENSOR (07-0127), 30' ORP (07-0129)**

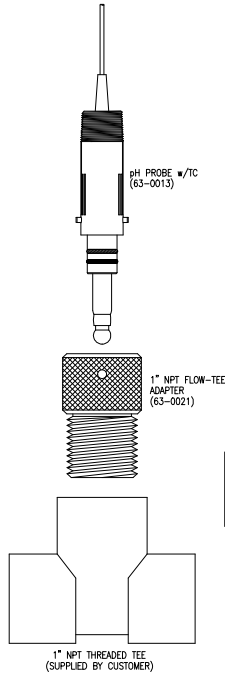
pH SENSOR - (63-0009)  
 ORP SENSOR - (63-0023)



ATI-0266

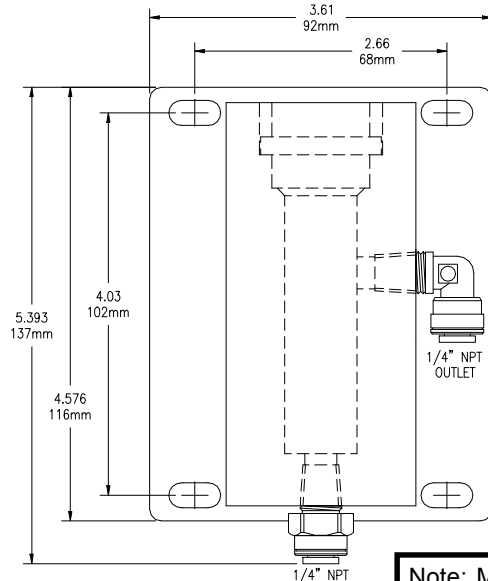


**FLOW "T" INSTALLATION**



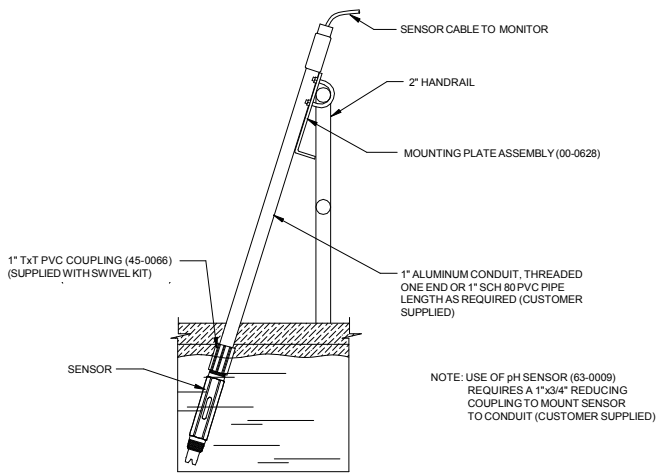
**FLOW "T":**  
 1) Max. 150 psi for FLOW "T" operation.

**SEALED pH FLOWCELL ASSY (00-1527)**



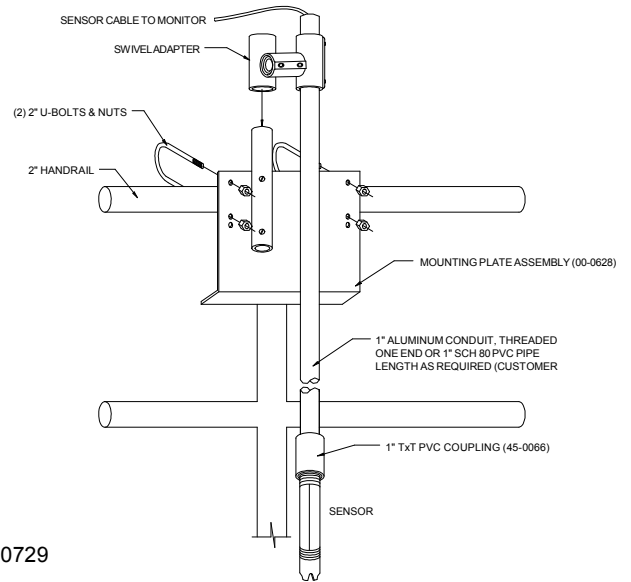
**Note:** Mounting slots will accommodate up to #10-32 screws

**SENSOR HANDRAIL MOUNTING**



ATI-0728

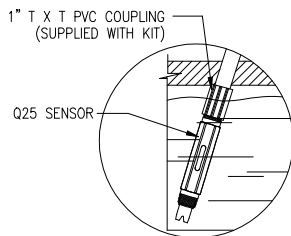
**SENSOR HANDRAIL INSTALLATION**



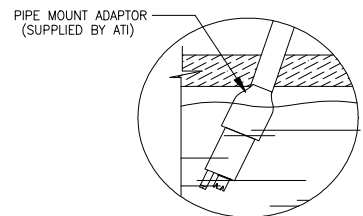
ATI-0729

**SUBMERSIBLE SENSOR MOUNTING OPTIONS**

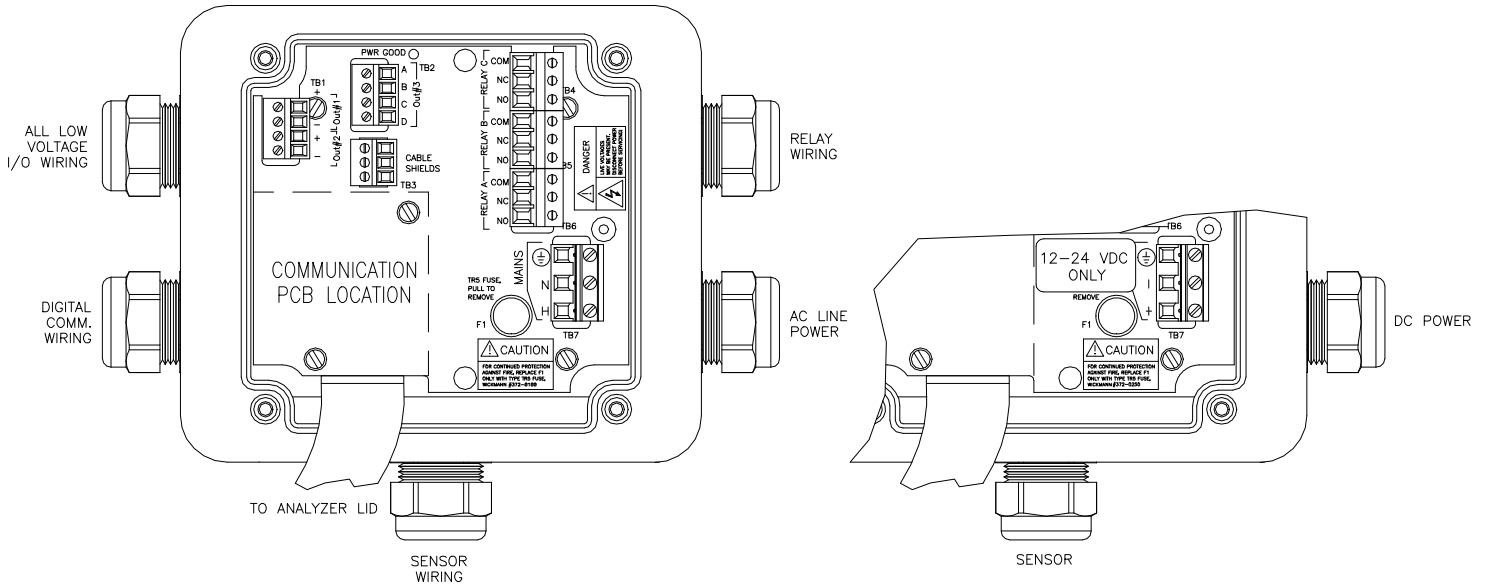
**STANDARD SUBMERSIBLE (00-0628)**



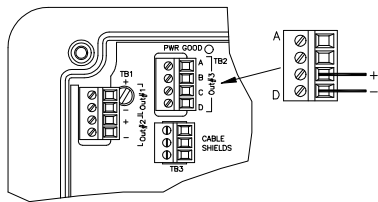
**AUTOCLEAN SUBMERSIBLE (00-0624)**



**POWER, RELAY, AND OUTPUT CONNECTIONS**

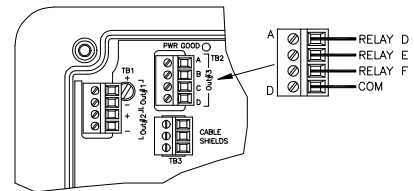


Optional Analog Output Wiring



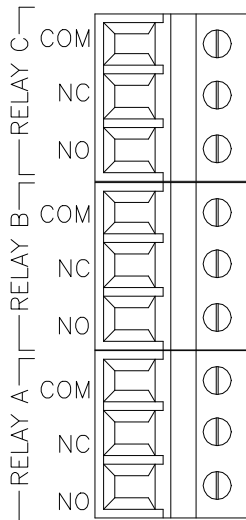
ATI-0930,  
0932, 0933

Optional Relay Board Wiring  
(30V Max.)

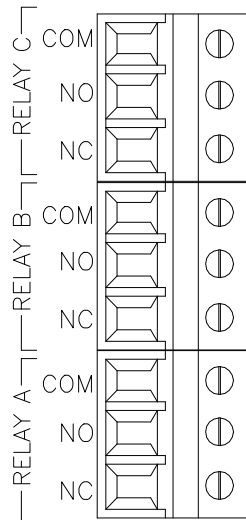


**RELAY WIRING TB4,5,6 DETAIL**

FACTORY DEFAULT  
(NORMAL MODE)

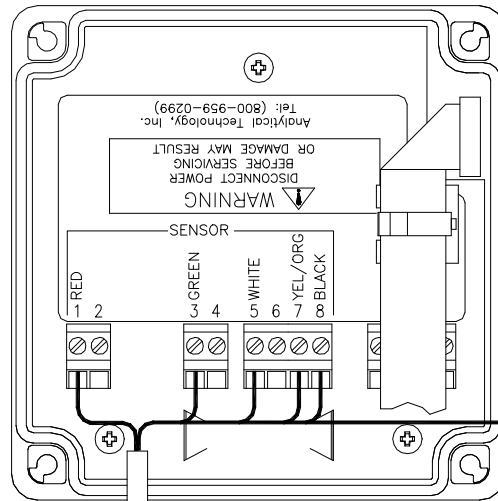


(FAILSAFE MODE)

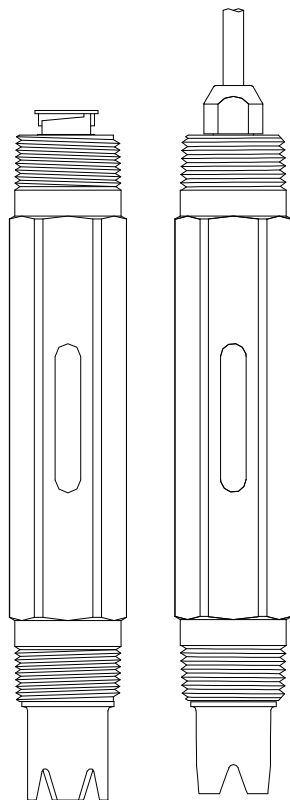


ATI-0931

**SENSOR CONNECTIONS**



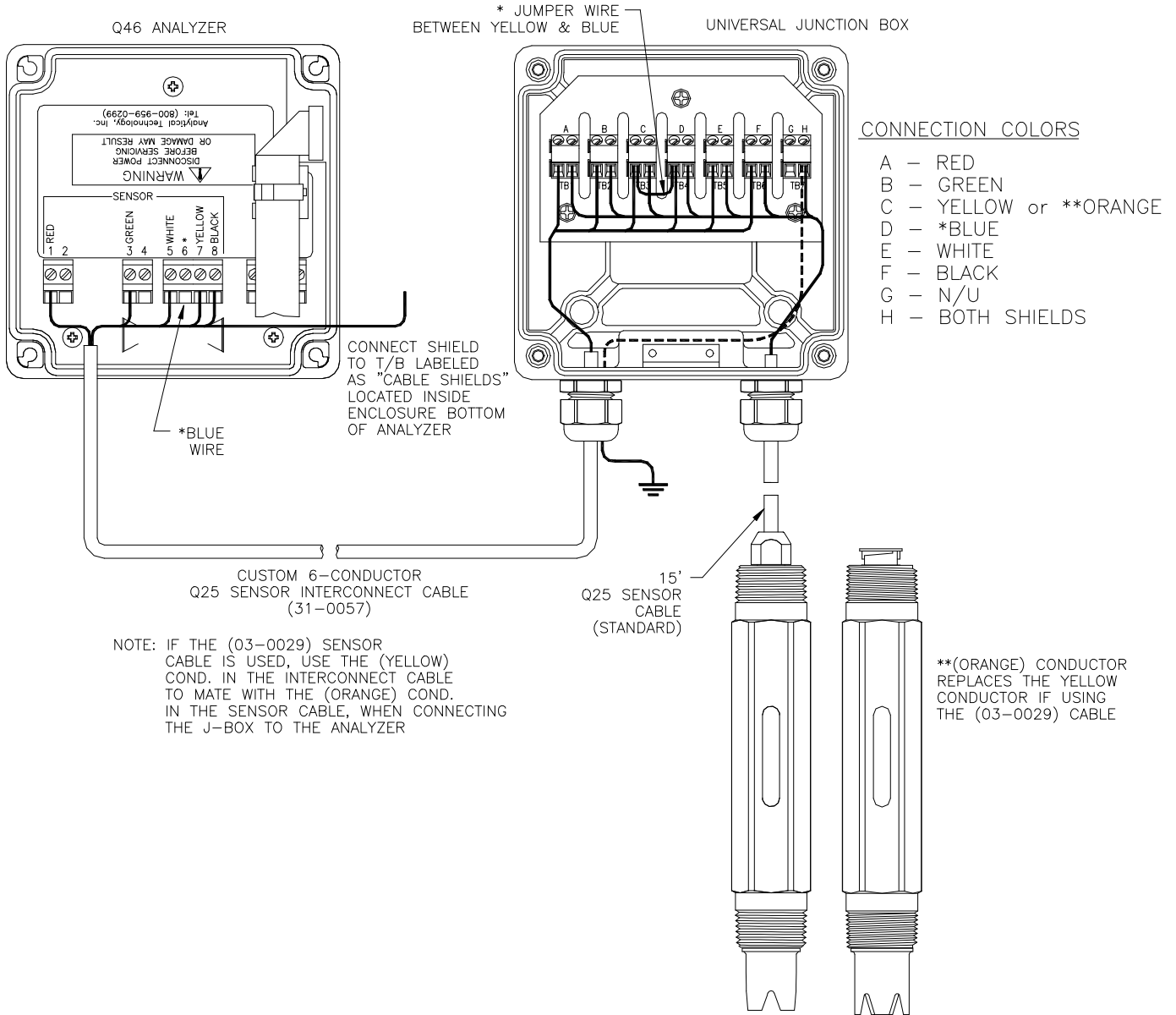
CONNECT SHIELD TO T/B  
LABELED AS "CABLE SHIELDS"  
LOCATED INSIDE ENCLOSURE BOTTOM  
OF TRANSMITTER



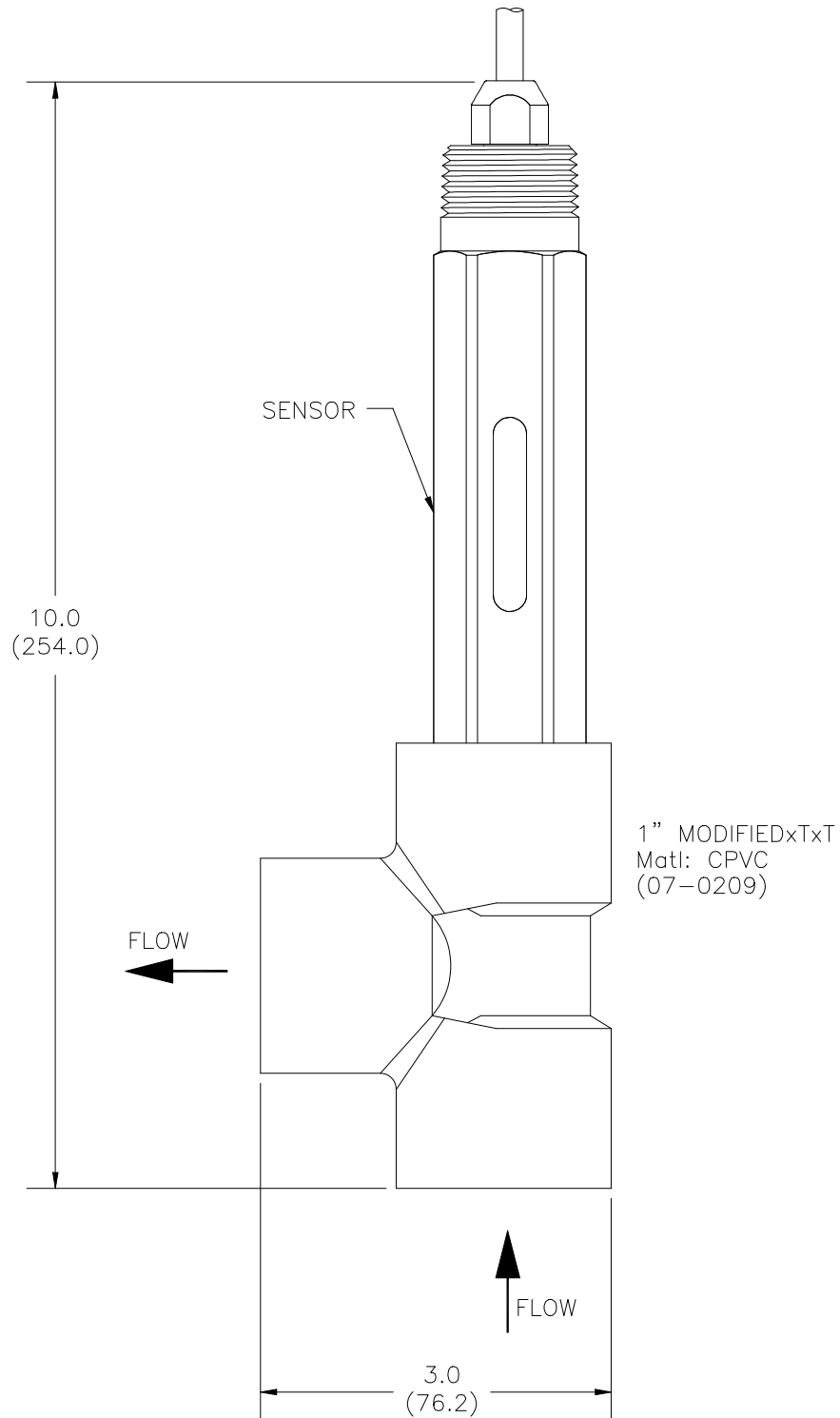
IF USING (03-0029)  
CABLE, REPLACE (YEL)  
COND. WITH THE (ORG)  
CONDUCTOR IN THE  
SENSOR CABLE



**SENSOR CONNECTIONS w/JUNCTION BOX**

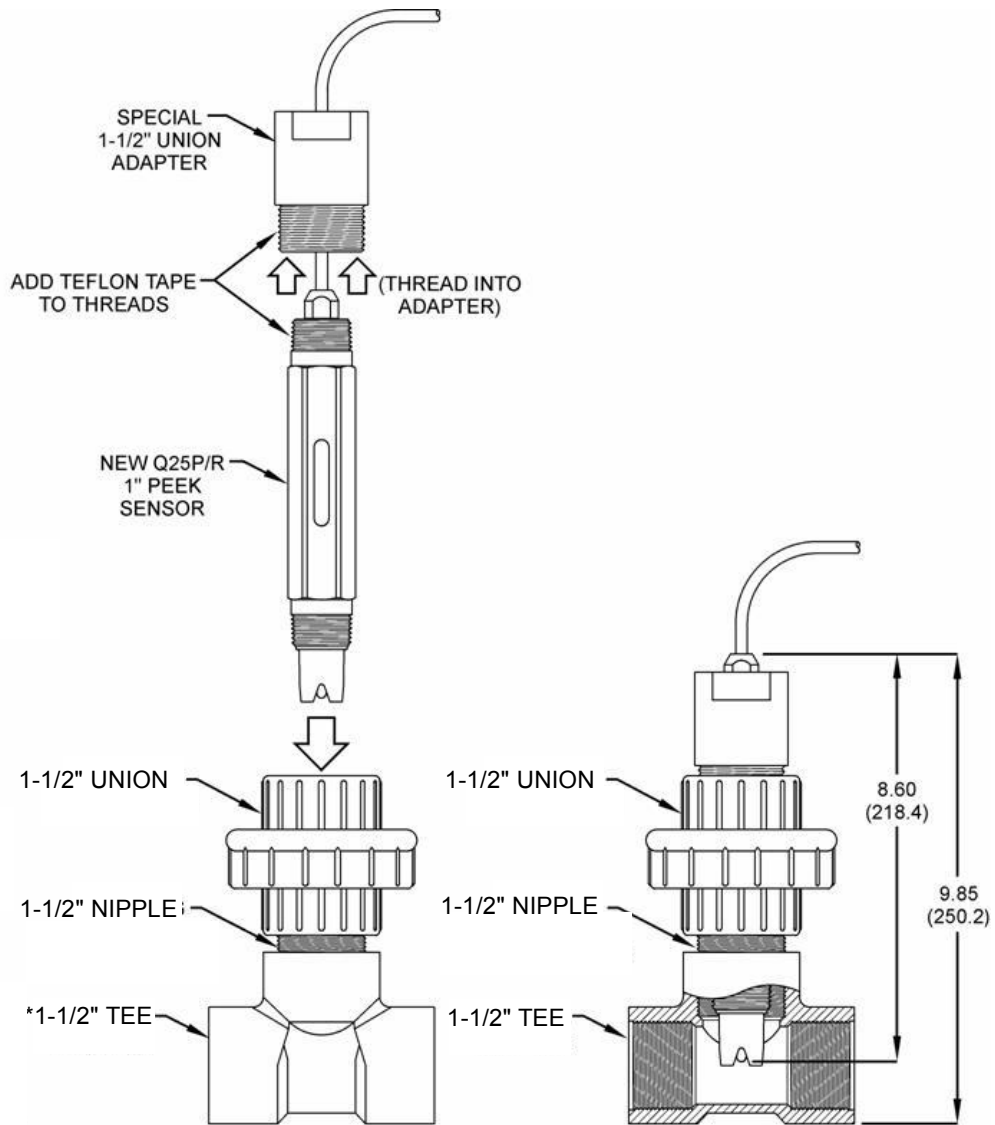


**FLOW TEE DETAIL**



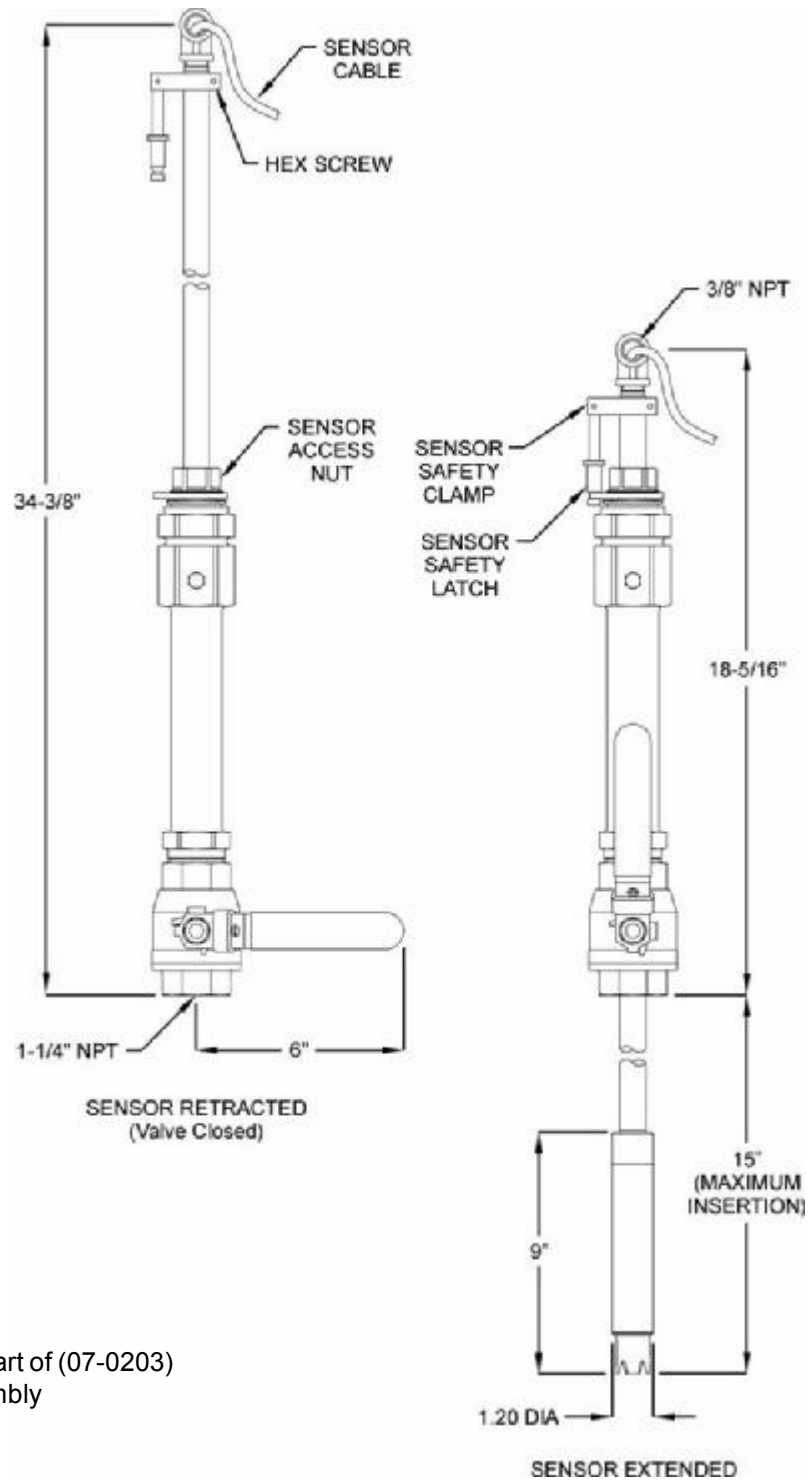
ATI-0727

1-1/2" UNION DETAIL - (07-0221)



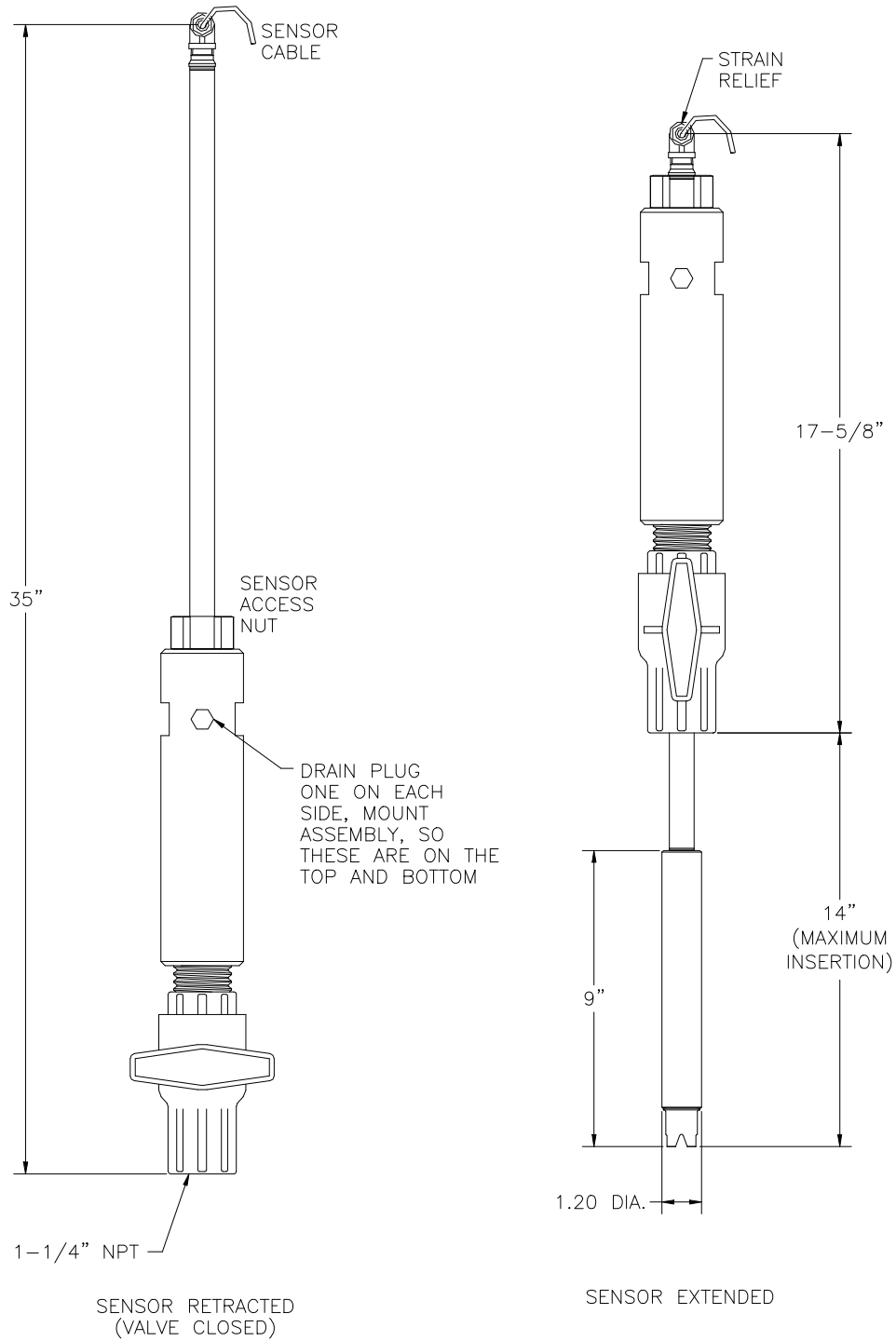
\* 1-1/2" TEE Fitting not supplied with P/N (07-0221). Tee Fitting must be ordered Separately

**INSERTION ASSEMBLY DETAIL (07-0203) - (SS VERSION)**



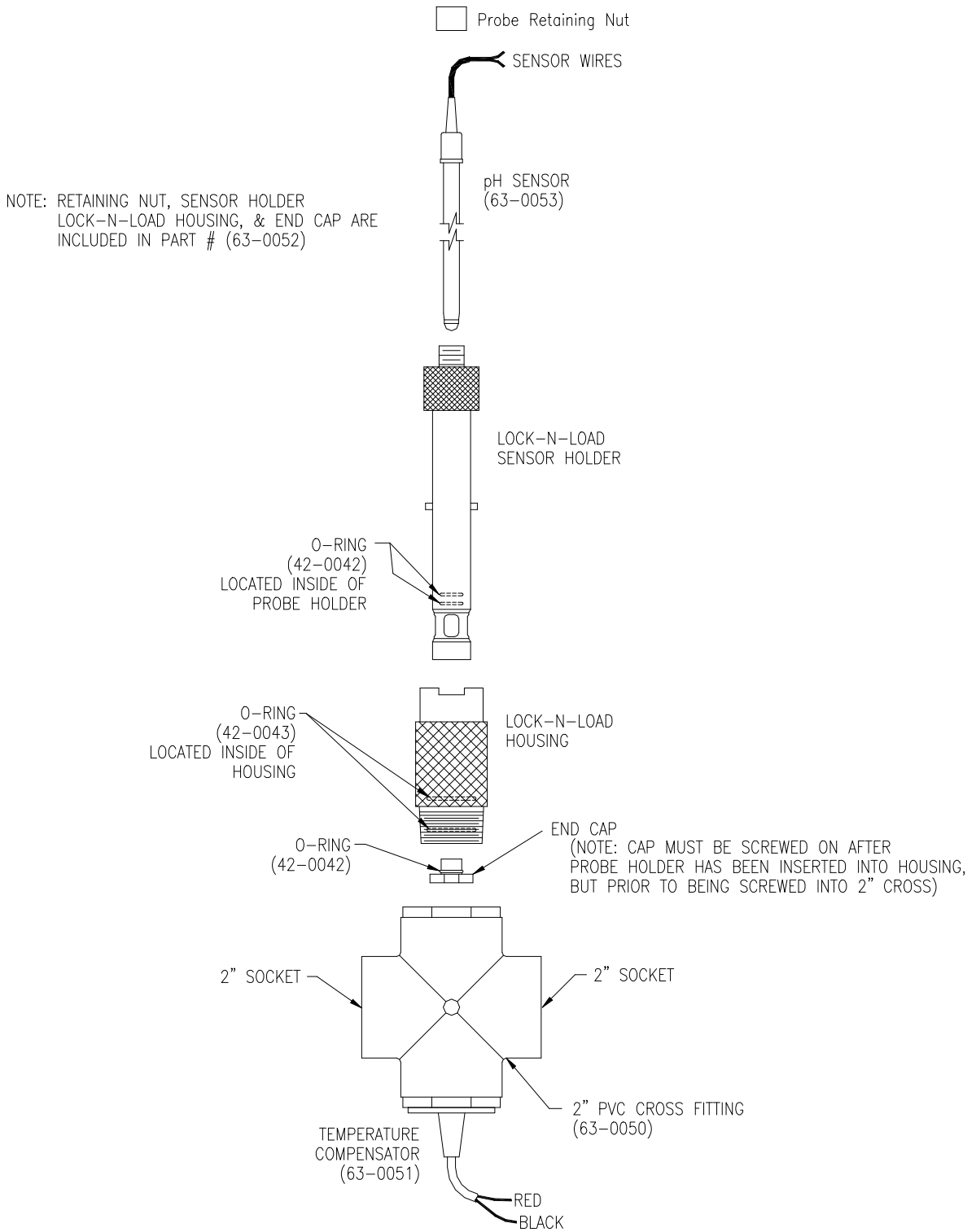
NOTE: Sensor is not part of (07-0203) insertion assembly

**INSERTION ASSEMBLY DETAIL (07-0223) - (CPVC VERSION)**



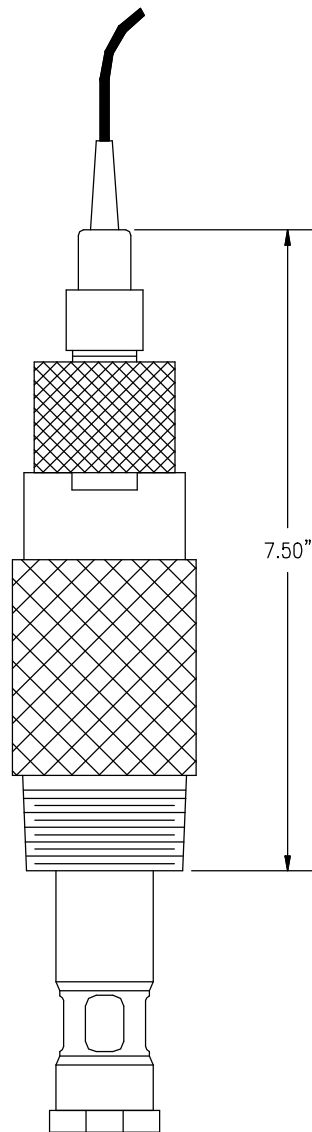
NOTE: Sensor is not part of (07-0223) insertion assembly

**LOCK-N-LOAD SENSOR (EXPLODED VIEW)**

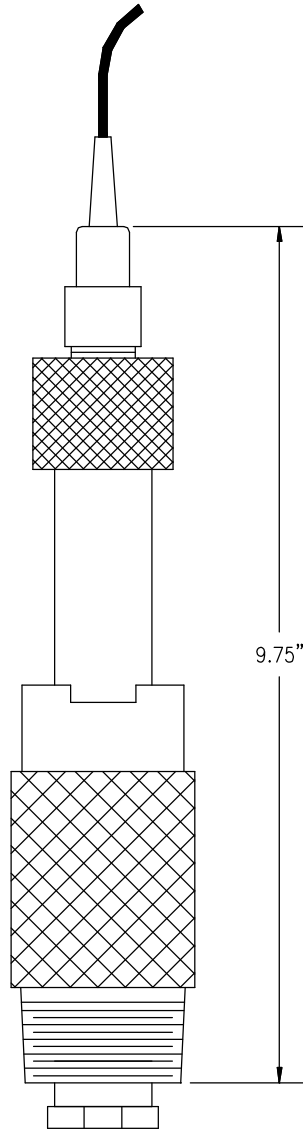


ATI-0622

**LOCK-N-LOAD SENSOR (OPERATIONAL DIAGRAMS)**



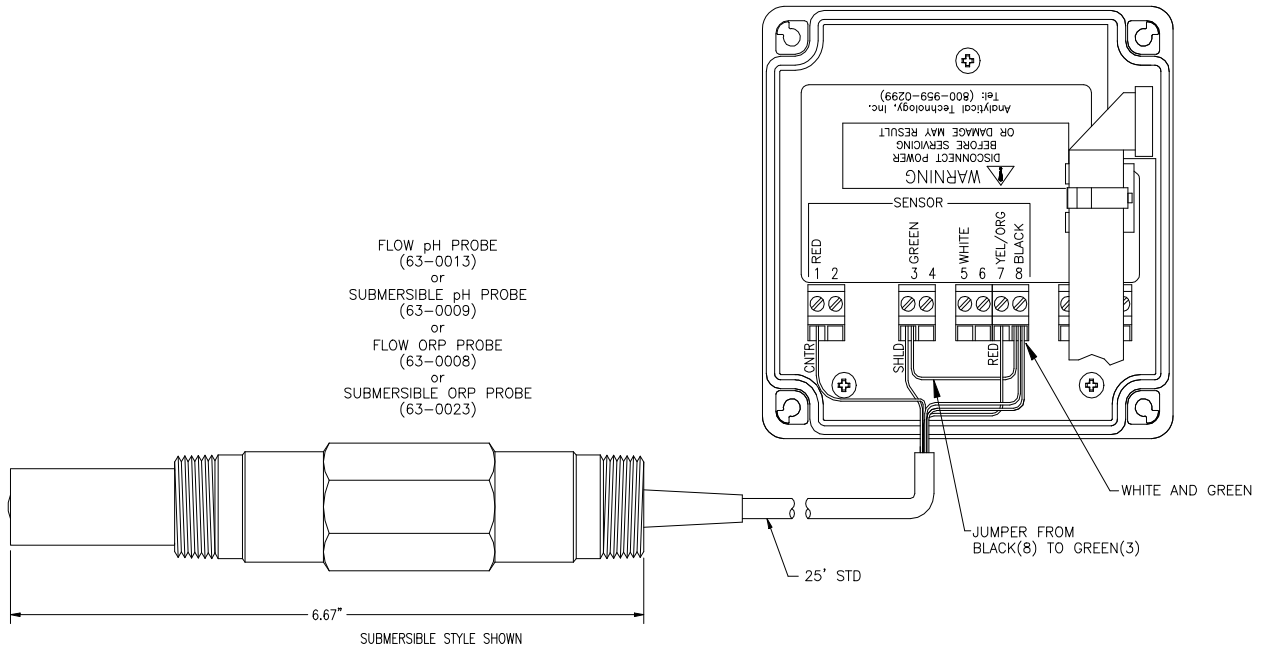
OPERATIONAL POSITION



MAINTENANCE POSITION

ATI-0626

**SENSOR CONNECTION (COMBINATION ELECTRODE)**



**FOR ATI SENSORS LISTED ABOVE CONNECT AS FOLLOWS:**

- Terminal 1 – Center Clear (Coax)
- 3 – Shield (Coax)
- 7 – Red (Pt100)
- 8 – White and Green or Blue (Pt100)

Terminals 3 & 8 **MUST** be connected with jumper wire

**FOR OTHER COMBINATION ELECTRODES, CONNECT AS FOLLOWS:**

- Terminal 1 - Glass Electrode
- 3 - Reference Electrode
- 7 - PT100 or PT1000 Temp. Element
- 8 - PT100 or PT1000 Temp Element

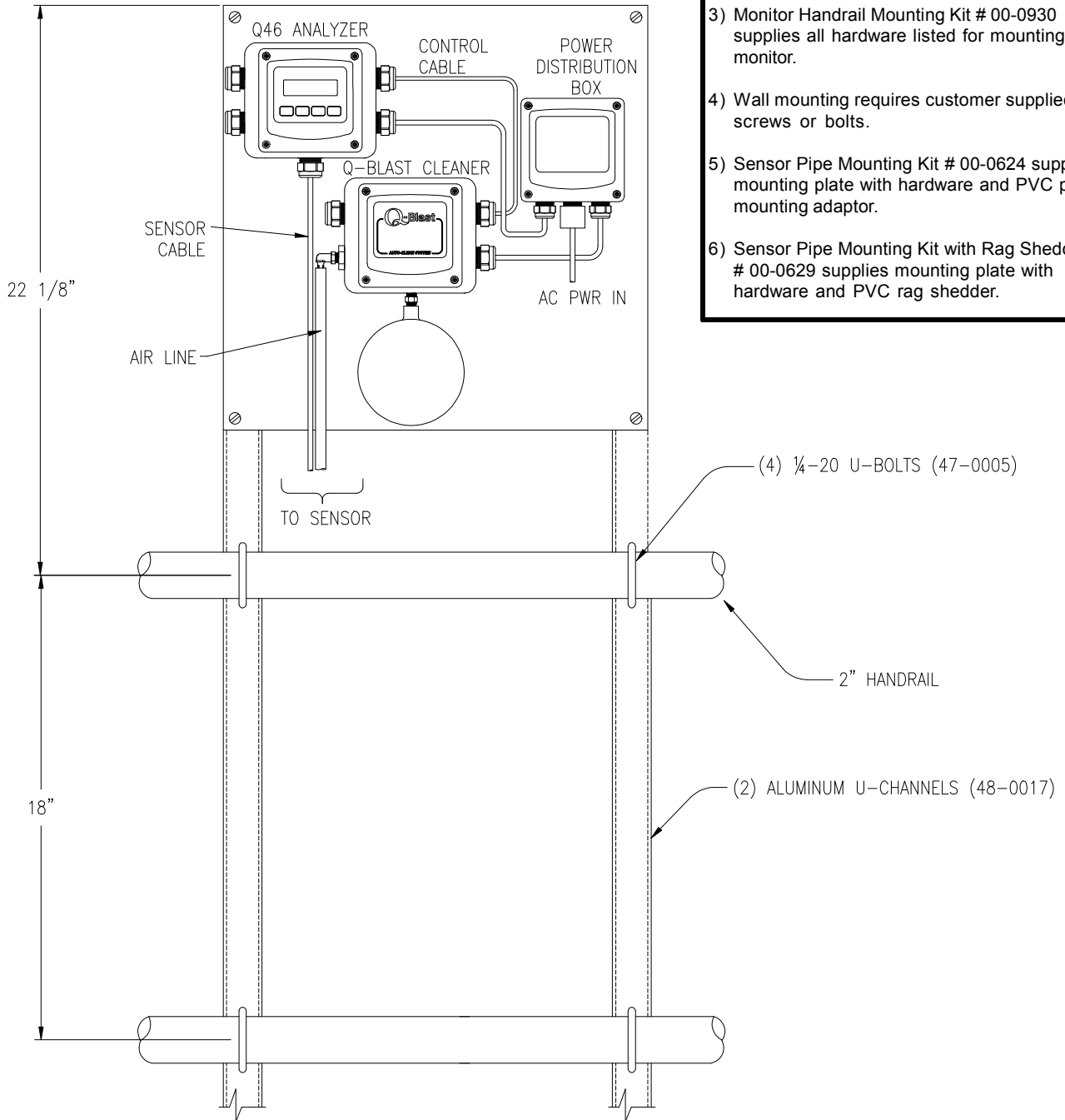
- NOTES: 1. Terminals 3 and 8 **MUST** be connected with jumper wire.  
 2. ORP sensors **DO NOT HAVE** T/C connections.



**MONITOR HANDRAIL INSTALLATION**

**NOTES**

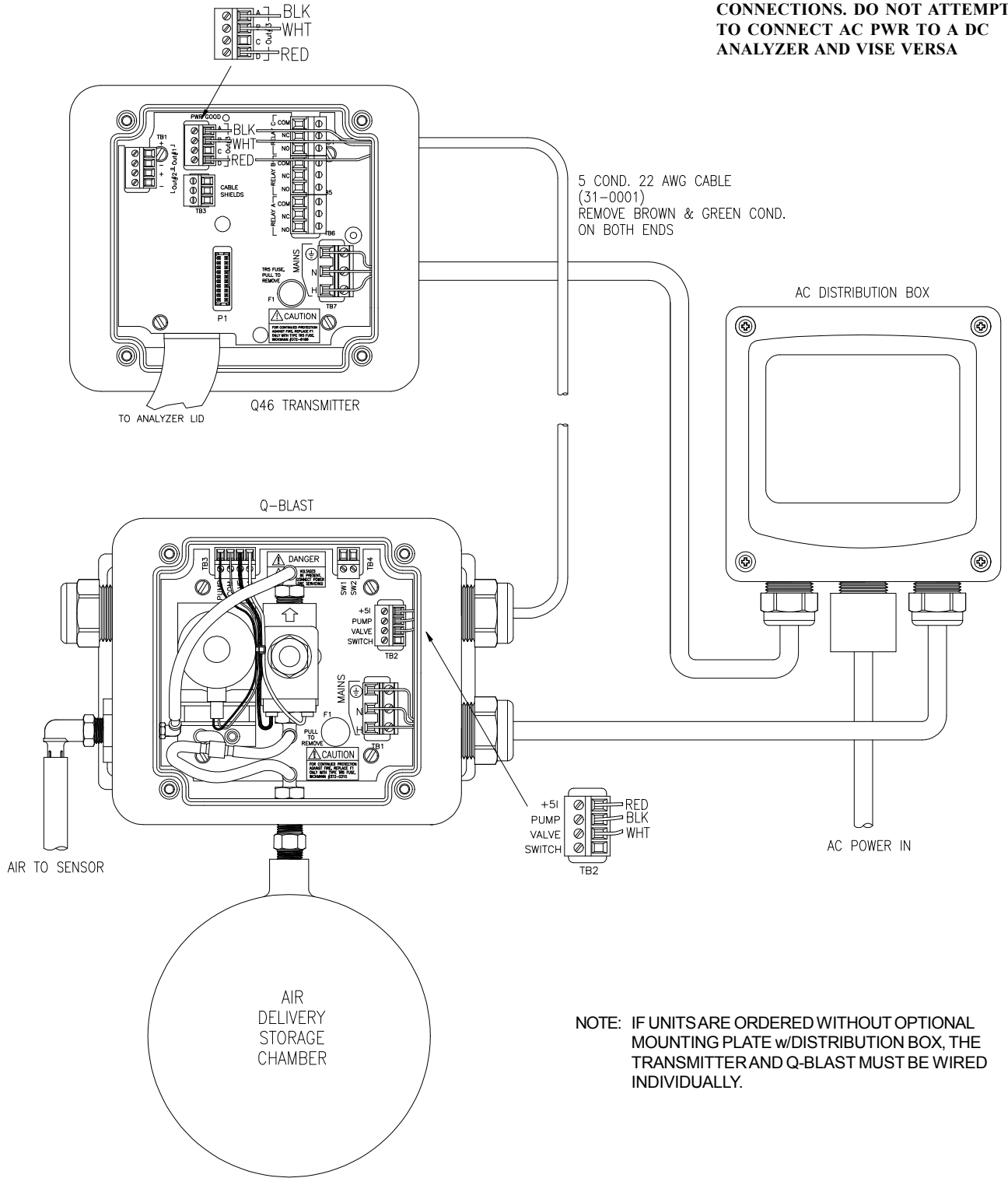
- 1) Always mount sensor cleaner within 25 ft. of sensor if possible. Maximum air line distance is 50 ft.
- 2) Sun shade over monitor is recommended in hot climates.
- 3) Monitor Handrail Mounting Kit # 00-0930 supplies all hardware listed for mounting monitor.
- 4) Wall mounting requires customer supplied screws or bolts.
- 5) Sensor Pipe Mounting Kit # 00-0624 supplies mounting plate with hardware and PVC pipe mounting adaptor.
- 6) Sensor Pipe Mounting Kit with Rag Shedder # 00-0629 supplies mounting plate with hardware and PVC rag shedder.



ATI-0962

**AUTOCLEAN SYSTEM - ELECTRICAL WIRING**

**NOTE: DC ANALYZER PWR INPUTS INDICATE "+" AND "-" FOR INPUT CONNECTIONS. DO NOT ATTEMPT TO CONNECT AC PWR TO A DC ANALYZER AND VISE VERSA**



**NOTE: IF UNITS ARE ORDERED WITHOUT OPTIONAL MOUNTING PLATE w/DISTRIBUTION BOX, THE TRANSMITTER AND Q-BLAST MUST BE WIRED INDIVIDUALLY.**